

SAMA7G5 Series System-in-Package (SiP) MPUs with Embedded DDR3L SDRAM

SAMA7G5 Series SiP Data Sheet



www.microchip.com
[Product Page Links](#)

Scope

This document is an overview of the main features of the SAMA7G5 Series SiP microprocessor. The sole reference documents for product information on the SAMA7G5 Series devices and the DDR3L SDRAM memories are listed in [Reference Documents](#).

Introduction

The SAMA7G5 Series SiP integrates the Arm® Cortex®-A7 processor-based SAMA7G54 MPU with a DDR3L SDRAM. By combining the SAMA7G54 with a DDR3L SDRAM in a single package, PCB routing complexity, area and number of layers are reduced in the majority of cases. This makes board design easier and more robust by facilitating design for EMI, ESD and signal integrity.

The following DDR3L SDRAM memory densities are available:

- 1-Gbit DDR3L SDRAM
- 2-Gbit DDR3L SDRAM

Reference Documents

Type	Name	Available	Ref. No.
Data sheet	SAMA7G5 Series	www.microchip.com	DS60001765
Errata sheet	SAMA7G5 Series Silicon Errata and Data Sheet Clarification	www.microchip.com	DS80001016
Application note	SAMA7G54 Hardware Design Considerations	www.microchip.com	DS00004598
Data sheet	1-Gbit 8M x 8 BANKS x 16 BIT DDR3L SDRAM	www.winbond.com	W631GU6NB
Data sheet	2-Gbit 16M x 8 BANKS x 16 BIT DDR3L SDRAM	www.winbond.com	W632GU6NB

1. Features

- Arm Cortex-A7 Core
 - Arm TrustZone®
 - Arm Neon™ multimedia architecture
 - Floating Point Unit
 - Embedded Trace module with instruction trace stream, including 16 Kbytes of Arm CoreSight™ Embedded Trace buffer
 - 32 Kbytes of L1 data cache, 32 Kbytes of L1 instruction cache
 - 256 Kbytes of L2 cache
 - Up to 1 GHz operating frequency
 - Voltage and frequency scaling support
 - 64-bit generic timers
- Internal Memory Architecture
 - 128 Kbytes of internal SRAM
 - 80 Kbytes of maskable ROM, embedding a secure bootloader (boot on QSPI NOR, SD, eMMC)
 - 96 Kbytes ROM for NAND Flash ECC tables
 - 40 Kbytes ROM for crypto-libraries (RSA, ECC, etc.)
 - 11 Kbytes of internal OTP
 - 16-bit high-bandwidth, DDR3L SDRAM up to 533 MHz, up to 2 Gbits
- External Memory Support
 - 16-bit static memory controller, FPGA support with synchronous clock
 - 8-bit SLC and MLC NAND controller with up to 32-bit error correcting code
 - One 8-bit high-speed memory card host eMMC 5.1 (HS400), SD3.0 SDR104 mode support
 - Two 4-bit high-speed memory card hosts eMMC 4.51 (HS200), SD3.01 SDR104 mode support
 - One octal Serial Peripheral Interface running up to 200 MHz DDR
 - One quad Serial Peripheral Interface
- System
 - Power-on reset cells, reset controller, shutdown controller, Watchdog and secure Watchdog Timers running on internal slow RC oscillator (32 kHz typical) and real-time clock running on a slow crystal oscillator (32.768 kHz)
 - Two internal trimmed RC oscillators with typical values: 32 kHz and 12 MHz
 - Two crystal oscillators: 32.768 kHz and 20 to 50 MHz
 - Eight PLLs for core, system bus and peripherals, serial interfaces, DDR I/Os, pixel clock, audio, USB, MIPI CSI-2 and Ethernet
 - Two 32-channel DMAs with per-channel security configuration
 - One 8-channel DMA dedicated to memory-to-memory transactions
 - Eight programmable clock output signals
- Power Considerations
 - Different power domains and modes to reduce power consumption
 - Low-power consumption in Backup mode with 5 Kbytes of secure backup SRAM and DDR-SDRAM in Self-Refresh mode

- Low-power with SRAM and register retention, wake-up from various events (USB, CAN, Ethernet WOL, FLEXCOMs), internal events (RTC, timer) and I/O activity
- Embedded LDOs for MIPI CSI-2, analog and PLLs, to enable low-cost power management solutions
- Optimum connection to Microchip MCP16501/2 PMICs to enter and exit various power modes of the application
- Multimedia Peripherals
 - Audio
 - Two synchronous serial controllers, each with 16 channels of up to 32-bit TDM data
 - One inter-IC sound multi-channel controller with TDM256 support
 - Up to two 4-channel pulse density microphone controllers; support for eight microphones in parallel
 - One Sony/Philips digital interface transmitter and receiver
 - Audio sample rate converter including four stereo channels
 - Image
 - Image sensor controller, ITU-R BT. 601/656 supporting up to eight megapixels for still images and 60 fps in 720p mode, 8 bits, raw Bayer, YCbCr, monochrome, camera ISP
 - 2-lane MIPI CSI-2 (D-PHY) and 12-bit RGB interface support
- Peripherals
 - Two high-speed USB devices and three high-speed USB hosts sharing three on-chip transceivers
 - One 10/100/1000 Gigabit Ethernet MAC supporting RGMII, MII and RMII (GMAC0) and one 10/100 Ethernet MAC supporting MII and RMII (GMAC1) compliant with:
 - IEEE802.3az Energy-Efficient Ethernet
 - IEEE802.1AS Timestamping for Ethernet AVB support
 - IEEE802.1Qav Credit-based traffic shaping hardware support
 - IEEE1588 Precision Time Protocol
 - IEEE1588 Timestamp Unit (TSU) with TSU timer comparison signal triggering a timer counter and available on a PIO line
 - Six flexible data rate CAN-FD controllers with SRAM-based mailboxes with time- and event-triggered transmission
 - Twelve FLEXCOMs (USART, SPI and TWIHS)
 - Six 64-bit timers
 - Two three-channel 32-bit timer counters with PWM generation
 - One four-channel 16-bit PWM controller
 - One 16-channel 12-bit analog-to-digital converter, up to 1 Msps
- Safety
 - Temperature and core voltage monitoring
 - Zero-power power-on reset cells
 - Main crystal monitor and clock failure detector with failsafe switchover to main RC oscillator
 - 32 kHz crystal monitor and clock failure detector with failsafe switchover to internal 32 kHz RC oscillator
 - Integrity check monitor based on SHA256
 - Safety critical modules (WDT, RSTC, SHDWC, etc.) running on always-on slow RC oscillator

- Register write protection
- Security
 - TrustZone support
 - One Secure TrustZone Watchdog Timer running on RC oscillator, providing protection against TrustZone starvation
 - Temperature, voltage and frequency monitoring
 - Secure backup SRAM
 - 5 Kbytes scrambled with non-imprinting support powered with VBAT or VDDIN33:
 - 1 Kbyte non-erasable on tamper detection
 - 4 Kbytes erasable on tamper detection
 - Four tamper pins for static or dynamic detection
 - Can be used as regular wake-up lines
 - 256-bit general purpose backup register, erasable on tamper detection
 - Programmable OTP with bits available for user purposes
 - Configurable JTAG/SWD security (full debug, non-secure-only debug, no debug)
 - 128-bit AES on-the-fly encryption/decryption on DDR memory, SMC, QSPI0 and QSPI1, including automatic key load at start-up. Separate keys for secure and non-secure accesses (TZAESB).
 - True random number generator compliant with NIST Special Publication 800-22 Tests Suite and FIPS PUB 140-2 and 140-3
 - Secure RTC
- Cryptography
 - SHA (SHA1, SHA224, SHA256, SHA384, SHA512) compliant with FIPS Publications 180-2
 - AES: 256-, 192-, 128-bit key algorithm, compliant with FIPS PUB 197 specifications
 - TDES: two-key or three-key algorithms, compliant with FIPS PUB 46-3 specifications
 - Public Key Coprocessor (CPKCC) and associated Classical Public Key Cryptography Library (CPKCL) for RSA, DSA, ECC GF(2ⁿ), ECC GF_(p)
- Up to 136 I/Os
 - Fully programmable through set/clear registers
 - Multiplexing of eight peripheral functions per I/O line
 - Each I/O line can be assigned to a peripheral or used as a general purpose I/O
 - PIO controller featuring a synchronous output providing up to 32 bits of data output in a single write operation
- Design for Low ElectroMagnetic Interference (EMI)
 - Slew rate controlled I/Os
 - DDR PHY with impedance-calibrated drivers
 - Spread spectrum PLLs
 - Careful BGA power/ground ball assignment to provide optimum decoupling capacitors placement
- Microchip Recommended Power Management Integrated Circuits (PMICs)
 - MCP16502, 6-channel PMIC with I²C control interface; supports dynamic voltage scaling and processor Low-Power modes (ULP2, BSR)
 - MCP16501, 4-channel PMIC optimized for compact PCB layout; supports processor Low-Power mode

- Operating Conditions
 - Junction temperature range (T_j): -40°C to +105°C
- Package
 - 427-ball TFBGA 18x21x1.2 mm, 0.8 mm pitch

2. Ordering Information

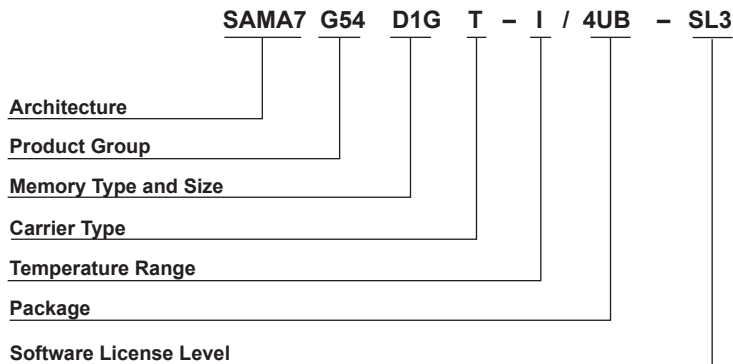
Ordering Code ⁽¹⁾⁽²⁾	Memory Type	Memory Size	Tier	Package	Junction Temperature Range ⁽³⁾
SAMA7G54D1G(T)-I/4UB(-SLx)	DDR3L SDRAM	1 Gbit	Industrial	TFBGA427	-40°C to +105°C
SAMA7G54D2G(T)-I/4UB(-SLx)		2 Gbits			

Notes:

1. For details on ordering codes, see [Product Identification System](#).
2. For SL1, SL2 and SL3 device availability, contact a Microchip Sales representative.
3. Applies to both the MPU and the DDR3L memory junction temperatures.

3. Product Identification System

To order or obtain information, e.g., on pricing or delivery, refer to the factory or the listed sales office.



Architecture:	SAMA7	= Arm Cortex-A7 CPU
Product Group:	G54	= 427-ball general-purpose microprocessors
Memory Type and Size:	D1G	= 1-Gbit DDR3L SDRAM
	D2G	= 2-Gbit DDR3L SDRAM
Carrier Type:	Blank	= Standard packaging (tray)
	T	= Tape and Reel
Ambient Temperature Range ⁽¹⁾ :	I	= -40°C to +85°C (industrial)
Package:	4UB	= 427-ball TFBGA
	Blank	= Standard
Software License Level:	SL1	= Level 1
	SL2	= Level 2
	SL3	= Level 3

Note:

- Indicative Ambient Temperature Range. The user must not exceed the maximum Junction Temperature (T_j) defined in the section [Electrical Characteristics](#).

Example:

- SAMA7G54D1GT-I/4UB-SL3 = Arm Cortex-A7 general-purpose microprocessor, 1-Gbit DDR3L SDRAM, tape and reel packaging, industrial temperature, 427-ball TFBGA, software license level 3

Note: The Tape and Reel identifier and the Software License Level identifier only appear in the catalog part number description. These identifiers are used for ordering purposes and are not printed on the device package. Check with your Microchip Sales Office for package availability.

4. DDR3L SDRAM Features

The SAMA7G5 Series SiP is available with 1-Gbit or 2-Gbit DDR3L SDRAM memory options. For power consumption, electrical characteristics and timings of these memories, refer to the manufacturers' data sheets listed in [Reference Documents](#).

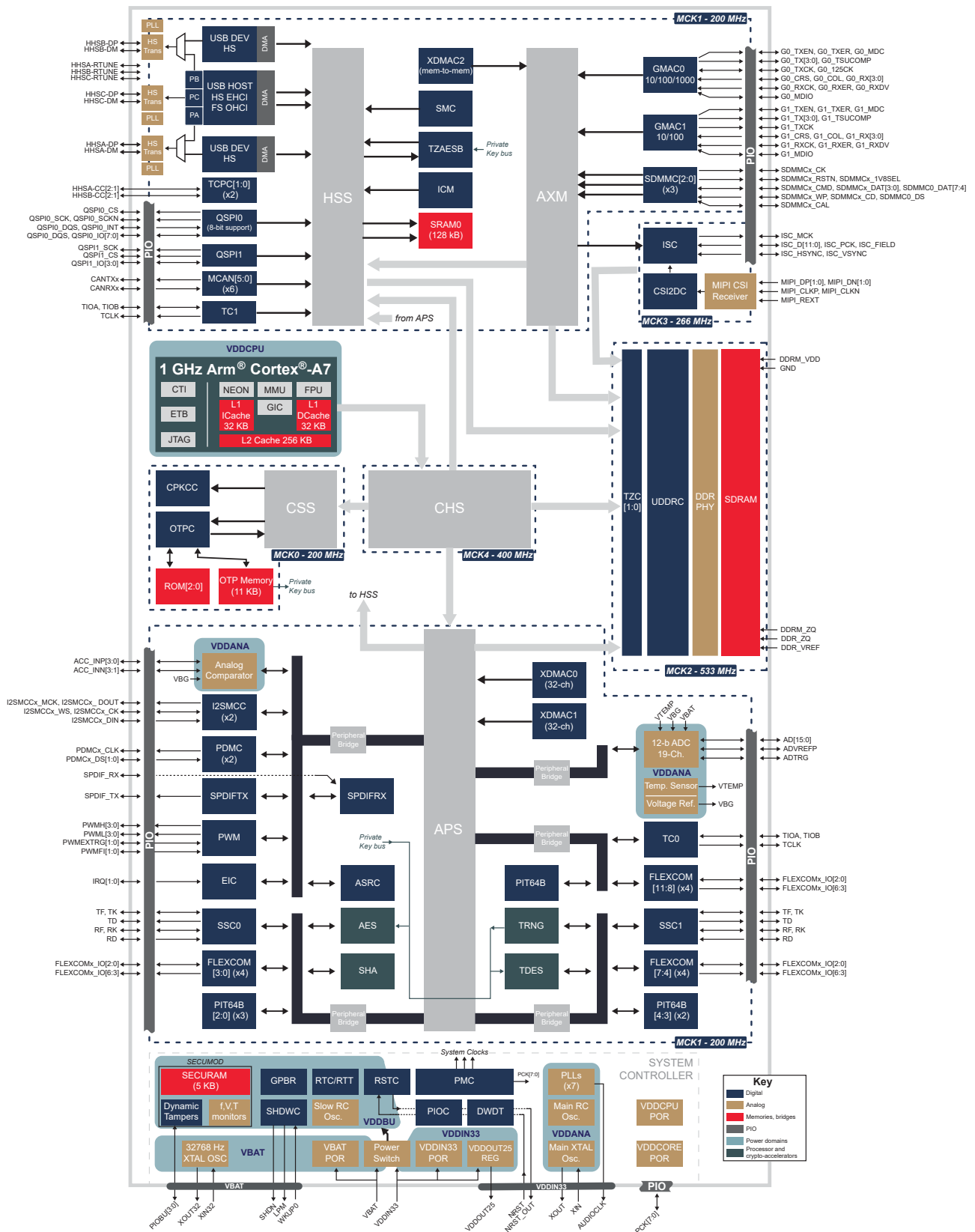
- Power supply: DDR3L DDRM_VDD = 1.283V to 1.45V
- 2-Kbyte page size (x16)
- 8-bank operation controlled by BA0, BA1 and BA2
- Burst lengths (BL): 8 and 4 with Burst Chop (BC)
- Precharge: auto-precharge option for each burst access
- Refresh: auto-refresh, self-refresh
- Average refresh period:
 - 7.8 μs at $-40^{\circ}\text{C} \leq T_j \leq +85^{\circ}\text{C}$
 - 3.9 μs at $+85^{\circ}\text{C} < T_j \leq +95^{\circ}\text{C}$
 - 1.95 μs at $+95^{\circ}\text{C} < T_j \leq +105^{\circ}\text{C}$
- High-speed data transfer realized by the 8-bit prefetch pipelined architecture
- Double Data Rate architecture: two data transfers per clock cycle
- Bidirectional differential data strobe (DQS and /DQS) transmitted/received with data for capturing data at the receiver
- DQS edge-aligned with data for reads and center-aligned with data for writes
- Differential clock inputs (CK and /CK)
- DLL aligns DQ and DQS transitions with CK transitions
- Commands entered on each positive CK edge; data and data mask referenced to both edges of DQS
- Data mask (DM) for write data
- Posted CAS by programmable additive latency for better command and data bus efficiency
- MultiPurpose Register (MPR) for predefined pattern read out
- ZQ calibration for DQ drive and ODT
- Programmable Partial Array Self-Refresh (PASR)
- Reset pin for power-up sequence and reset function
- Self-Refresh Temperature (SRT) range: normal/extended
- Automatic Self-Refresh (ASR)
- Programmable output driver impedance control

5. Configuration Summary

Feature	SAMA7G54D2G	SAMA7G54D1G
Package	TFBGA427	
CPU	Cortex-A7	
CPU frequency	Up to 1 GHz	
External memory support	NAND Flash, QSPI (NAND, NOR)	
Number of PIOs	136	
SDMMC	3	
DDR datapath	16-bit, 533 MHz (internal)	
Internal SDRAM	2-Gbit DDR3L SDRAM	1-Gbit DDR3L SDRAM
GMAC	RGMII/MII/RMII +MII/RMII	
CAN	6	
FLEXCOM (USART/SPI/I2C)	12	
ADC channels	16	
USB device/host	2/2 sharing 2 USB Type-C™ transceivers + 1 host	
ISC	MIPI + Parallel RGB	
I2SMCC channel outputs/inputs	8/8	
SSC	2	
PDMC channels	Up to 8 microphones	
SPDIF	RX + TX	
Audio sample rate converter	1	
QSPI	Octal + Quad	
64-bit timers/32-bit timers	6/2	
PWM	4 differential signals, 2 external triggers, 2 fault inputs	
Cryptography	PKCC, AES, SHA, TRNG, TDES	

6. Block Diagram

Figure 6-1. SAMA7G5 Series SiP Block Diagram



7. Chip Identifier

Table 7-1. Chip ID and Extended ID Definition

Chip Name	CHIPID_CIDR	CHIPID_EXID ⁽¹⁾
SAMA7G54D1G	0x8016211x	0x00000018
		0x000000CC (SL1)
		0x000000CD (SL2)
		0x000000CE (SL3)
SAMA7G54D2G		0x00000020
		0x000000D0 (SL1)
		0x000000D1 (SL2)
		0x000000D2 (SL3)

Note:

1. For details on ordering codes, see [Product Identification System](#).

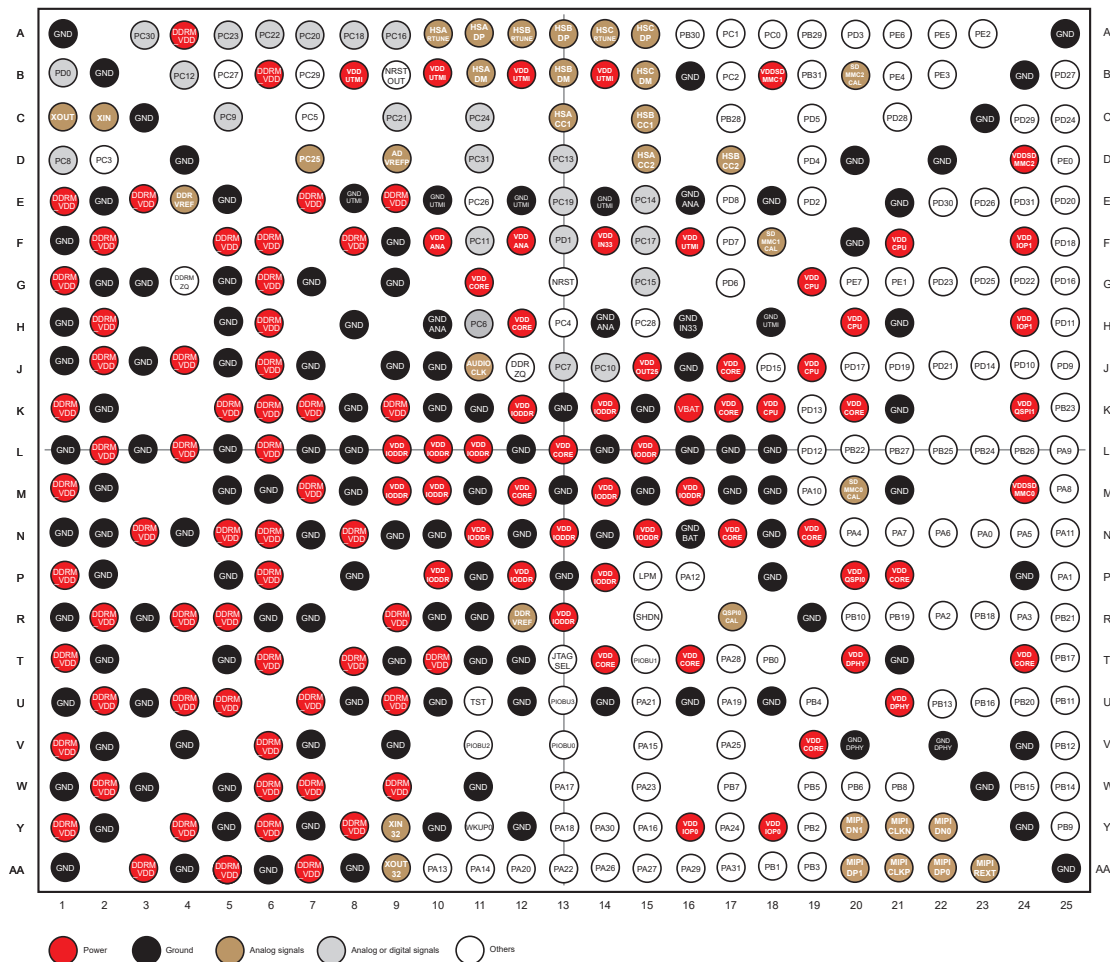
8. Package and Pinout

All SAMA7G5 Series SiP devices are pin-to-pin compatible.

Package Name	Ball Count	Ball Pitch	Package Size
TFBGA427	427	0.8 mm	18x21x1.2 mm

8.1 TFBGA427 Package

Figure 8-1. 427-Ball TFBGA Pinout



8.2 Ball Description

The device features several PIO controllers that multiplex the I/O lines of the peripheral set. The following [Ball Description](#) table defines how the I/O lines are multiplexed on the different PIO controllers. The "Reset State" column shows whether the PIO line resets in I/O mode or in Peripheral mode. If I/O is shown, the PIO line resets with the characteristics (input, output, pull-up or pull-down) indicated in this same column, so that the device is configured in a known state as soon as the reset is released. As a result, PIO_CFGR.FUNC resets to '0'. If a signal name is shown in the "Reset State" column, the PIO line is assigned to this function and PIO_CFGR.FUNC is not set to '0'. That is the case for pins controlling memories, particularly address lines, which require the pin to be driven as soon as the reset is released.

Table 8-1. Ball Description⁽¹⁾

TFBGA427 Pins	Power Rail	I/O Type ⁽²⁾	Primary		Alternate		PIO Peripheral				Reset State
			Signal	Dir	Signal	Dir	Func	Signal	Dir	I/O Set	Signal, Dir, PU, PD, HiZ, ST ⁽³⁾
N23	VDDSDMMC0	HSIO	PA0	I/O	-	-	A	SDMMC0_CK	I/O	1	PIO, I, PU, ST
							B	FLEXCOM0_IO0	I/O	1	
							C	CANTX3	O	1	
							E	PWML0	O	3	
P25	VDDSDMMC0	HSIO	PA1	I/O	-	-	A	SDMMC0_CMD	I/O	1	PIO, I, PU, ST
							B	FLEXCOM0_IO1	I/O	1	
							C	CANRX3	I	1	
							D	D14	I/O	1,2	
R22	VDDSDMMC0	GPIO	PA2	I/O	-	-	A	SDMMC0_RSTN	O	1	PIO, I, PU, ST
							B	FLEXCOM0_IO2	I/O	1	
							C	PDMC1_CLK	O	1	
							D	D15	I/O	1,2	
							E	PWMH1	O	3	
							F	FLEXCOM1_IO0	I/O	3	
R24	VDDSDMMC0	HSIO	PA3	I/O	-	-	A	SDMMC0_DAT0	I/O	1	PIO, I, PU, ST
							B	FLEXCOM0_IO3	I/O	1	
							C	PDMC1_DS0	I	1	
							D	NWR1/NBS1	O	1,2	
							E	PWML3	O	3	
							F	FLEXCOM1_IO1	I/O	3	
N20	VDDSDMMC0	HSIO	PA4	I/O	-	-	A	SDMMC0_DAT1	I/O	1	PIO, I, PU, ST
							B	FLEXCOM0_IO4	I/O	1	
							C	PDMC1_DS1	I	1	
							D	NCS2	O	1,2	
							E	PWMH3	O	3	
							F	FLEXCOM2_IO0	I/O	3	
N24	VDDSDMMC0	HSIO	PA5	I/O	-	-	A	SDMMC0_DAT2	I/O	1	PIO, I, PU, ST
							B	FLEXCOM1_IO0	I/O	1	
							C	CANTX2	O	1	
							D	A23	O	1,2	
							E	PWMEXTRG0	I	3	
							F	FLEXCOM2_IO1	I/O	3	

.....continued

TFBGA427 Pins	Power Rail	I/O Type ⁽²⁾	Primary		Alternate		PIO Peripheral				Reset State
			Signal	Dir	Signal	Dir	Func	Signal	Dir	I/O Set	Signal, Dir, PU, PD, HIZ, ST ⁽³⁾
N22	VDDSDMMC0	HSIO	PA6	I/O	-	-	A	SDMMC0_DAT3	I/O	1	PIO, I, PU, ST
							B	FLEXCOM1_IO1	I/O	1	
							C	CANRX2	I	1	
							D	A24	O	1,2	
							E	PWMEXTRG1	I	3	
							F	FLEXCOM3_IO0	I/O	3	
N21	VDDSDMMC0	HSIO	PA7	I/O	-	-	A	SDMMC0_DAT4	I/O	1	PIO, I, PU, ST
							B	FLEXCOM2_IO0	I/O	1	
							C	CANTX1	O	1	
							D	NWAIT	I	1,2	
							E	PWMFIO	I	3	
							F	FLEXCOM3_IO1	I/O	3	
M25	VDDSDMMC0	HSIO	PA8	I/O	-	-	A	SDMMC0_DAT5	I/O	1	PIO, I, PU, ST
							B	FLEXCOM2_IO1	I/O	1	
							C	CANRX1	I	1	
							D	NCS0	O	1,2	
							E	PWMF11	I	3	
							F	FLEXCOM4_IO0	I/O	3	
L25	VDDSDMMC0	HSIO	PA9	I/O	-	-	A	SDMMC0_DAT6	I/O	1	PIO, I, PU, ST
							B	FLEXCOM2_IO2	I/O	1	
							C	CANTX0	O	1	
							D	SMCK	O	1,2	
							E	SPDIF_RX	I	1	
							F	FLEXCOM4_IO1	I/O	3	
M19	VDDSDMMC0	HSIO	PA10	I/O	-	-	A	SDMMC0_DAT7	I/O	1	PIO, I, PU, ST
							B	FLEXCOM2_IO3	I/O	1	
							C	CANRX0	I	1	
							D	NCS1	O	1,2	
							E	SPDIF_TX	O	1	
							F	FLEXCOM5_IO0	I/O	3	
N25	VDDSDMMC0	HSIO	PA11	I/O	-	-	A	SDMMC0_DS	I	1	PIO, I, PU, ST
							B	FLEXCOM2_IO4	I/O	1	
							D	A0/NBS0	O	1,2	
							E	TIOA0	I/O	1	
							F	FLEXCOM5_IO1	I/O	3	

.....continued

TFBGA427 Pins	Power Rail	I/O Type ⁽²⁾	Primary		Alternate		PIO Peripheral				Reset State
			Signal	Dir	Signal	Dir	Func	Signal	Dir	I/O Set	Signal, Dir, PU, PD, HIZ, ST ⁽³⁾
P16	VDDIOP0	GPIO	PA12	I/O	-	-	A	SDMMC0_WP	I	1	PIO, I, PU, ST
							B	FLEXCOM1_IO3	I/O	1	
							D	FLEXCOM3_IO5	I/O	1	
							E	PWML2	O	3	
							F	FLEXCOM6_IO0	I/O	3	
AA10	VDDIOP0	GPIO	PA13	I/O	-	-	A	SDMMC0_1V8SEL	O	1	PIO, I, PU, ST
							B	FLEXCOM1_IO2	I/O	1	
							D	FLEXCOM3_IO6	I/O	1	
							E	PWMH2	O	3	
							F	FLEXCOM6_IO1	I/O	3	
AA11	VDDIOP0	GPIO	PA14	I/O			A	SDMMC0_CD	I	1	PIO, I, PU, ST
							B	FLEXCOM1_IO4	I/O	1	
							D	A25	O	1,2	
							E	PWML1	O	3	
V15	VDDIOP0	GPIO	PA15	I/O	-	-	A	G0_TXEN	O	1	PIO, I, PU, ST
							B	FLEXCOM3_IO0	I/O	1	
							C	ISC_MCK	O	1	
							D	A1	O	1,2	
							E	TIOB0	I/O	1	
Y15	VDDIOP0	GPIO	PA16	I/O	-	-	A	G0_TX0	O	1	PIO, I, PU, ST
							B	FLEXCOM3_IO1	I/O	1	
							C	ISC_D0	I	1	
							D	A2	O	1,2	
							E	TCLK0	I	1	
W13	VDDIOP0	GPIO	PA17	I/O	-	-	A	G0_TX1	O	1	PIO, I, PU, ST
							B	FLEXCOM3_IO2	I/O	1	
							C	ISC_D1	I	1	
							D	A3	O	1,2	
							E	TIOA1	I/O	1	
Y13	VDDIOP0	GPIO	PA18	I/O	-	-	A	G0_RXDV	I	1	PIO, I, PU, ST
							B	FLEXCOM3_IO3	I/O	1	
							C	ISC_D2	I	1	
							D	A4	O	1,2	
							E	TIOB1	I/O	1	

.....continued

TFBGA427 Pins	Power Rail	I/O Type ⁽²⁾	Primary		Alternate		PIO Peripheral				Reset State
			Signal	Dir	Signal	Dir	Func	Signal	Dir	I/O Set	Signal, Dir, PU, PD, HIZ, ST ⁽³⁾
U17	VDDIOP0	GPIO	PA19	I/O	-	-	A	G0_RX0	I	1	PIO, I, PU, ST
							B	FLEXCOM3_IO4	I/O	1	
							C	ISC_D3	I	1	
							D	A5	O	1,2	
							E	TCLK1	I	1	
AA12	VDDIOP0	GPIO	PA20	I/O	-	-	A	G0_RX1	I	1	PIO, I, PU, ST
							B	FLEXCOM4_IO0	I/O	1	
							C	ISC_D4	I	1	
							D	A6	O	1,2	
							E	TIOA2	I/O	1	
U15	VDDIOP0	GPIO	PA21	I/O	-	-	A	G0_RXER	I	1	PIO, I, PU, ST
							B	FLEXCOM4_IO1	I/O	1	
							C	ISC_D5	I	1	
							D	A7	O	1,2	
							E	TIOB2	I/O	1	
AA13	VDDIOP0	GPIO	PA22	I/O	-	-	A	G0_MDC	O	1	PIO, I, PU, ST
							B	FLEXCOM4_IO2	I/O	1	
							C	ISC_D6	I	1	
							D	A8	O	1,2	
							E	TCLK2	I	1	
W15	VDDIOP0	GPIO	PA23	I/O	-	-	A	G0_MDIO	I/O	1	PIO, I, PU, ST
							B	FLEXCOM4_IO3	I/O	1	
							C	ISC_D7	I	1	
							D	A9	O	1,2	
							E	G0_TXCK	I/O	1	
Y17	VDDIOP0	GPIO	PA24	I/O	-	-	B	FLEXCOM4_IO4	I/O	1	PIO, I, PU, ST
							C	ISC_HSYNC	I	1	
							D	A10	O	1,2	
							E	FLEXCOM0_IO5	I/O	1	
							A	G0_125CK	I/O	1	
V17	VDDIOP0	GPIO	PA25	I/O	-	-	B	FLEXCOM5_IO4	I/O	1	PIO, I, PU, ST
							C	ISC_VSYNC	I	1	
							D	A11	O	1,2	
							E	FLEXCOM0_IO6	I/O	1	
							F	FLEXCOM7_IO0	I/O	3	

.....continued

TFBGA427 Pins	Power Rail	I/O Type ⁽²⁾	Primary		Alternate		PIO Peripheral				Reset State
			Signal	Dir	Signal	Dir	Func	Signal	Dir	I/O Set	Signal, Dir, PU, PD, HIZ, ST ⁽³⁾
AA14	VDDIOP0	GPIO	PA26	I/O	-	-	A	G0_TX2	O	1	PIO, I, PU, ST
							B	FLEXCOM5_IO2	I/O	1	
							C	ISC_FIELD	I	1	
							D	A12	O	1,2	
							E	TF0	I/O	1	
							F	FLEXCOM7_IO1	I/O	3	
AA15	VDDIOP0	GPIO	PA27	I/O	-	-	A	G0_TX3	O	1	PIO, I, PU, ST
							B	FLEXCOM5_IO3	I/O	1	
							C	ISC_PCK	I	1	
							D	A13	O	1,2	
							E	TK0	I/O	1	
							F	FLEXCOM8_IO0	I/O	3	
T17	VDDIOP0	GPIO	PA28	I/O	-	-	A	G0_RX2	I	1	PIO, I, PU, ST
							B	FLEXCOM5_IO0	I/O	1	
							C	ISC_D8	I	1	
							D	A14	O	1,2	
							E	RD0	I	1	
							F	FLEXCOM8_IO1	I/O	3	
AA16	VDDIOP0	GPIO	PA29	I/O	-	-	A	G0_RX3	I	1	PIO, I, PU, ST
							B	FLEXCOM5_IO1	I/O	1	
							C	ISC_D9	I	1	
							D	A15	O	1,2	
							E	RF0	I/O	1	
							F	FLEXCOM9_IO0	I/O	3	
Y14	VDDIOP0	GPIO	PA30	I/O	-	-	A	G0_RXCK	I	1	PIO, I, PU, ST
							B	FLEXCOM6_IO4	I/O	1	
							C	ISC_D10	I	1	
							D	A16	O	1,2	
							E	RK0	I/O	1	
							F	FLEXCOM9_IO1	I/O	3	
AA17	VDDIOP0	GPIO	PA31	I/O	-	-	A	G0_TXER	O	1	PIO, I, PU, ST
							B	FLEXCOM6_IO2	I/O	1	
							C	ISC_D11	I	1	
							D	A17	O	1,2	
							E	TD0	O	1	
							F	FLEXCOM10_IO0	I/O	3	

.....continued

TFBGA427 Pins	Power Rail	I/O Type ⁽²⁾	Primary		Alternate		PIO Peripheral				Reset State
			Signal	Dir	Signal	Dir	Func	Signal	Dir	I/O Set	Signal, Dir, PU, PD, HIZ, ST ⁽³⁾
T18	VDDIOP0	GPIO	PB0	I/O	-	-	A	G0_COL	I	1	PIO, I, PU, ST
							B	FLEXCOM6_IO3	I/O	1	
							C	EXT_IRQ0	I	1	
							D	A18	O	1,2	
							E	SPDIF_RX	I	2	
							F	FLEXCOM10_IO1	I/O	3	
AA18	VDDIOP0	GPIO	PB1	I/O	-	-	A	G0_CRCS	I	1	PIO, I, PU, ST
							B	FLEXCOM6_IO1	I/O	1	
							C	EXT_IRQ1	I	1	
							D	A19	O	1,2	
							E	SPDIF_TX	O	2	
							F	FLEXCOM11_IO0	I/O	3	
Y19	VDDIOP0	GPIO	PB2	I/O	-	-	A	G0_TSUCOMP	O	1	PIO, I, PU, ST
							B	FLEXCOM6_IO0	I/O	1	
							C	ADTRG	I	1	
							D	A20	O	1,2	
AA19	VDDIOP0	GPIO	PB3	I/O	-	-	F	FLEXCOM11_IO1	I/O	3	PIO, I, PU, ST
							A	RF1	I/O	1	
							B	FLEXCOM11_IO0	I/O	1	
							C	PCK2	O	2	
U19	VDDIOP0	GPIO	PB4	I/O	-	-	D	D8	I/O	1,2	PIO, I, PU, ST
							A	TF1	I/O	1	
							B	FLEXCOM11_IO1	I/O	1	
							C	PCK3	O	2	
W19	VDDIOP0	GPIO	PB5	I/O	-	-	D	D9	I/O	1,2	PIO, I, PU, ST
							A	TK1	I/O	1	
							B	FLEXCOM11_IO2	I/O	1,2,3,4,5	
							C	PCK4	O	2	
W20	VDDIOP0	GPIO	PB6	I/O	-	-	D	D10	I/O	1,2	PIO, I, PU, ST
							A	RK1	I/O	1	
							B	FLEXCOM11_IO3	I/O	1,2,3,4,5	
							C	PCK5	O	2	
W17	VDDIOP0	GPIO	PB7	I/O	-	-	D	D11	I/O	1,2	PIO, I, PU, ST
							A	TD1	O	1	
							B	FLEXCOM11_IO4	I/O	1,2,3,4,5	
							C	FLEXCOM3_IO5	I/O	2,3,4,5	
							D	D12	I/O	1,2	

.....continued

TFBGA427 Pins	Power Rail	I/O Type ⁽²⁾	Primary		Alternate		PIO Peripheral				Reset State
			Signal	Dir	Signal	Dir	Func	Signal	Dir	I/O Set	Signal, Dir, PU, PD, HIZ, ST ⁽³⁾
W21	VDDIOP0	GPIO	PB8	I/O	-	-	A	RD1	I	1	PIO, I, PU, ST
							B	FLEXCOM8_IO0	I/O	1	
							C	FLEXCOM3_IO6	I/O	2,3,4,5	
							D	D13	I/O	1,2	
Y25	VDDQSPI0	HSIO	PB9	I/O	-	-	A	QSPI0_IO3	I/O	1	PIO, I, PU, ST
							B	FLEXCOM8_IO1	I/O	1	
							C	PDMC0_CLK	O	1	
							D	NCS3/NANDCS	O	1	
							E	PWML0	O	2	
R20	VDDQSPI0	HSIO	PB10	I/O	-	-	A	QSPI0_IO2	I/O	1	PIO, I, PU, ST
							B	FLEXCOM8_IO2	I/O	1	
							C	PDMC0_DS0	I	1	
							D	NWE/NWR0/NANDWE	O	1	
							E	PWMH0	O	2	
U25	VDDQSPI0	HSIO	PB11	I/O	-	-	A	QSPI0_IO1	I/O	1	PIO, I, PU, ST
							B	FLEXCOM8_IO3	I/O	1	
							C	PDMC0_DS1	I	1	
							D	NRD/NANDOE	O	1	
							E	PWML1	O	2	
V25	VDDQSPI0	HSIO	PB12	I/O	-	-	A	QSPI0_IO0	I/O	1	PIO, I, PU, ST
							B	FLEXCOM8_IO4	I/O	1	
							C	FLEXCOM6_IO5	I/O	1	
							D	A21/NANDALE	O	1	
							E	PWMH1	O	2	
U22	VDDQSPI0	GPIO	PB13	I/O	-	-	A	QSPI0_CS	O	1	PIO, I, PU, ST
							B	FLEXCOM9_IO0	I/O	1	
							C	FLEXCOM6_IO6	I/O	1	
							D	A22/NANDCLE	O	1	
							E	PWML2	O	2	
W25	VDDQSPI0	HSIO	PB14	I/O	-	-	A	QSPI0_SCK	I/O	1	PIO, I, PU, ST
							B	FLEXCOM9_IO1	I/O	1	
							D	D0	I/O	1	
							E	PWMH2	O	2	
W24	VDDQSPI0	HSIO	PB15	I/O	-	-	A	QSPI0_SCKN	I/O	1	PIO, I, PU, ST
							B	FLEXCOM9_IO2	I/O	1	
							D	D1	I/O	1	
							E	PWML3	O	2	

.....continued

TFBGA427 Pins	Power Rail	I/O Type ⁽²⁾	Primary		Alternate		PIO Peripheral				Reset State
			Signal	Dir	Signal	Dir	Func	Signal	Dir	I/O Set	Signal, Dir, PU, PD, HIZ, ST ⁽³⁾
U23	VDDQSPI0	HSIO	PB16	I/O	-	-	A	QSPI0_IO4	I/O	1	PIO, I, PU, ST
							B	FLEXCOM9_IO3	I/O	1	
							C	PCK0	O	1	
							D	D2	I/O	1	
							E	PWMH3	O	2	
							F	EXT_IRQ0	I	2	
T25	VDDQSPI0	HSIO	PB17	I/O	-	-	A	QSPI0_IO5	I/O	1	PIO, I, PU, ST
							B	FLEXCOM9_IO4	I/O	1	
							C	PCK1	O	1	
							D	D3	I/O	1	
							E	PWMEXTRG0	I	2	
							F	EXT_IRQ1	I	2	
R23	VDDQSPI0	HSIO	PB18	I/O	-	-	A	QSPI0_IO6	I/O	1	PIO, I, PU, ST
							B	FLEXCOM10_IO0	I/O	1	
							C	PCK2	O	1	
							D	D4	I/O	1	
							E	PWMEXTRG1	I	2	
R21	VDDQSPI0	HSIO	PB19	I/O	-	-	A	QSPI0_IO7	I/O	1	PIO, I, PU, ST
							B	FLEXCOM10_IO1	I/O	1	
							C	PCK3	O	1	
							D	D5	I/O	1	
							E	PWMF10	I	2	
U24	VDDQSPI0	HSIO	PB20	I/O	-	-	A	QSPI0_DQS	I	1	PIO, I, PU, ST
							B	FLEXCOM10_IO2	I/O	1,2,3,4,5	
							D	D6	I/O	1	
							E	PWMF11	I	2	
R25	VDDQSPI0	GPIO	PB21	I/O	-	-	A	QSPI0_INT	I	1	PIO, I, PU, ST
							B	FLEXCOM10_IO3	I/O	1,2,3,4,5	
							C	FLEXCOM9_IO5	I/O	1	
							D	D7	I/O	1	
L20	VDDQSPI1	GPIO	PB22	I/O	-	-	A	QSPI1_IO3	I/O	1	PIO, I, PU, ST
							B	FLEXCOM10_IO4	I/O	1,2,3,4,5	
							C	FLEXCOM9_IO6	I/O	1	
							D	NANDRDY	I	1	
K25	VDDQSPI1	GPIO	PB23	I/O	-	-	A	QSPI1_IO2	I/O	1	PIO, I, PU, ST
							B	FLEXCOM7_IO0	I/O	1	
							C	I2SMCC0_CK	I/O	1	
							F	PCK4	O	1	

.....continued

TFBGA427 Pins	Power Rail	I/O Type ⁽²⁾	Primary		Alternate		PIO Peripheral				Reset State
			Signal	Dir	Signal	Dir	Func	Signal	Dir	I/O Set	Signal, Dir, PU, PD, HIZ, ST ⁽³⁾
L23	VDDQSPI1	GPIO	PB24	I/O	-	-	A	QSPI1_IO1	I/O	1	PIO, I, PU, ST
							B	FLEXCOM7_IO1	I/O	1	
							C	I2SMCC0_WS	I/O	1	
							F	PCK5	O	1	
L22	VDDQSPI1	GPIO	PB25	I/O	-	-	A	QSPI1_IO0	I/O	1	PIO, I, PU, ST
							B	FLEXCOM7_IO2	I/O	1	
							C	I2SMCC0_DOUT1	O	1	
							F	PCK6	O	1	
L24	VDDQSPI1	GPIO	PB26	I/O	-	-	A	QSPI1_CS	O	1	PIO, I, PU, ST
							B	FLEXCOM7_IO3	I/O	1	
							C	I2SMCC0_DOUT0	O	1	
							E	PWMEXTRG0	I	1	
							F	PCK7	O	1	
L21	VDDQSPI1	GPIO	PB27	I/O	-	-	A	QSPI1_SCK	I/O	1	PIO, I, PU, ST
							B	FLEXCOM7_IO4	I/O	1	
							C	I2SMCC0_MCK	O	1	
							E	PWMEXTRG1	I	1	
C17	VDDSDMMC1	GPIO	PB28	I/O	-	-	A	SDMMC1_RSTN	O	1	PIO, I, PU, ST
							B	ADTRG	I	2	
							E	PWMFI0	I	1	
							F	FLEXCOM7_IO0	I/O	4	
A19	VDDSDMMC1	HSIO	PB29	I/O	-	-	A	SDMMC1_CMD	I/O	1	PIO, I, PU, ST
							B	FLEXCOM3_IO2	I/O	2,3,4,5	
							C	FLEXCOM0_IO5	I/O	2	
							D	TIOA3	I/O	1	
							E	PWMFI1	I	1	
							F	FLEXCOM7_IO1	I/O	4	
A16	VDDSDMMC1	HSIO	PB30	I/O	-	-	A	SDMMC1_CK	I/O	1	PIO, I, PU, ST
							B	FLEXCOM3_IO3	I/O	2,3,4,5	
							C	FLEXCOM0_IO6	I/O	2	
							D	TIOB3	I/O	1	
							E	PWMH0	O	1	
							F	FLEXCOM8_IO0	I/O	4	

.....continued

TFBGA427 Pins	Power Rail	I/O Type ⁽²⁾	Primary		Alternate		PIO Peripheral				Reset State
			Signal	Dir	Signal	Dir	Func	Signal	Dir	I/O Set	Signal, Dir, PU, PD, HIZ, ST ⁽³⁾
B19	VDDSDMMC1	HSIO	PB31	I/O	-	-	A	SDMMC1_DAT0	I/O	1	PIO, I, PU, ST
							B	FLEXCOM3_IO4	I/O	2,3,4,5	
							C	FLEXCOM9_IO5	I/O	2,3,4,5	
							D	TCLK3	I	1	
							E	PWML0	O	1	
							F	FLEXCOM8_IO1	I/O	4	
A18	VDDSDMMC1	HSIO	PC0	I/O	-	-	A	SDMMC1_DAT1	I/O	1	PIO, I, PU, ST
							B	FLEXCOM3_IO0	I/O	2	
							D	TIOA4	I/O	1	
							E	PWML1	O	1	
							F	FLEXCOM9_IO0	I/O	4	
							A	SDMMC1_DAT2	I/O	1	
A17	VDDSDMMC1	HSIO	PC1	I/O	-	-	B	FLEXCOM3_IO1	I/O	2	PIO, I, PU, ST
							D	TIOB4	I/O	1	
							E	PWMH1	O	1	
							F	FLEXCOM9_IO1	I/O	4	
							A	SDMMC1_DAT3	I/O	1	
							B	FLEXCOM4_IO0	I/O	2	
B17	VDDSDMMC1	HSIO	PC2	I/O	-	-	D	TCLK4	I	1	PIO, I, PU, ST
							E	PWML2	O	1	
							F	FLEXCOM10_IO0	I/O	4	
							A	SDMMC1_WP	I	1	
							B	FLEXCOM4_IO1	I/O	2	
							D	TIOA5	I/O	1	
D2	VDDIN33	GPIO	PC3	I/O	-	-	E	PWMH2	O	1	PIO, I, PU, ST
							F	FLEXCOM10_IO1	I/O	4	
							A	SDMMC1_CD	I	1	
							B	FLEXCOM4_IO2	I/O	2,3,4,5	
							C	FLEXCOM9_IO6	I/O	2,3,4,5	
							D	TIOB5	I/O	1	
H13	VDDIN33	GPIO	PC4	I/O	-	-	E	PWML3	O	1	PIO, I, PU, ST
							F	FLEXCOM11_IO0	I/O	4	
							A	SDMMC1_1V8SEL	O	1	
							B	FLEXCOM4_IO3	I/O	2,3,4,5	
							C	FLEXCOM6_IO5	I/O	2,3,4,5	
							D	TCLK5	I	1	
C7	VDDIN33	GPIO	PC5	I/O	-	-	E	PWMH3	O	1	PIO, I, PU, ST
							F	FLEXCOM11_IO1	I/O	4	

.....continued

TFBGA427 Pins	Power Rail	I/O Type ⁽²⁾	Primary		Alternate		PIO Peripheral				Reset State
			Signal	Dir	Signal	Dir	Func	Signal	Dir	I/O Set	Signal, Dir, PU, PD, HIZ, ST ⁽³⁾
H11	VDDIN33	GPIO	PC6	I/O	ACC_INP0	-	A	-	-	-	PIO, I, PU, ST
							B	FLEXCOM4_IO4	I/O	2,3,4,5	
							C	FLEXCOM6_IO6	I/O	2,3,4,5	
J13	VDDIN33	GPIO	PC7	I/O	ACC_INN1	-	A	I2SMCC0_DIN0	I	1	PIO, I, PU, ST
							B	FLEXCOM7_IO0	I/O	2	
D1	VDDIN33	GPIO	PC8	I/O	ACC_INP1	-	A	I2SMCC0_DIN1	I	1	PIO, I, PU, ST
							B	FLEXCOM7_IO1	I/O	2	
C5	VDDIN33	GPIO	PC9	I/O	ACC_INN2	-	A	I2SMCC0_DOUT3	O	1	PIO, I, PU, ST
							B	FLEXCOM7_IO2	I/O	2,3,4,5	
							F	FLEXCOM1_IO0	I/O	4	
J14	VDDIN33	GPIO	PC10	I/O	ACC_INP2	-	A	I2SMCC0_DOUT2	O	1	PIO, I, PU, ST
							B	FLEXCOM7_IO3	I/O	2,3,4,5	
							F	FLEXCOM1_IO1	I/O	4	
F11	VDDIN33	GPIO	PC11	I/O	ACC_INN3	-	A	I2SMCC1_CK	I/O	1	PIO, I, PU, ST
							B	FLEXCOM7_IO4	I/O	2,3,4,5	
							F	FLEXCOM2_IO0	I/O	4	
B4	VDDIN33	GPIO	PC12	I/O	ACC_INP3	-	A	I2SMCC1_WS	I/O	1	PIO, I, PU, ST
							B	FLEXCOM8_IO2	I/O	2,3,4,5	
							F	FLEXCOM2_IO1	I/O	4	
D13	VDDIN33	GPIO	PC13	I/O	AD0	-	A	I2SMCC1_MCK	O	1	PIO, I, PU, ST
							B	FLEXCOM8_IO1	I/O	2	
							F	FLEXCOM3_IO0	I/O	4	
E15	VDDIN33	GPIO	PC14	I/O	AD1	-	A	I2SMCC1_DOUT0	O	1	PIO, I, PU, ST
							B	FLEXCOM8_IO0	I/O	2	
							F	FLEXCOM3_IO1	I/O	4	
G15	VDDIN33	GPIO	PC15	I/O	AD2	-	A	I2SMCC1_DOUT1	O	1	PIO, I, PU, ST
							B	FLEXCOM8_IO3	I/O	2,3,4,5	
							F	FLEXCOM4_IO0	I/O	4	
A9	VDDIN33	GPIO	PC16	I/O	AD3	-	A	I2SMCC1_DOUT2	O	1	PIO, I, PU, ST
							B	FLEXCOM8_IO4	I/O	2,3,4,5	
							F	FLEXCOM4_IO1	I/O	4	
F15	VDDIN33	GPIO	PC17	I/O	AD4	-	A	I2SMCC1_DOUT3	O	1	PIO, I, PU, ST
							B	EXT_IRQ0	I	3	
							F	FLEXCOM5_IO0	I/O	4	
A8	VDDIN33	GPIO	PC18	I/O	AD5	-	A	I2SMCC1_DIN0	I	1	PIO, I, PU, ST
							B	FLEXCOM9_IO0	I/O	2	
							F	FLEXCOM5_IO1	I/O	4	

.....continued

TFBGA427 Pins	Power Rail	I/O Type ⁽²⁾	Primary		Alternate		PIO Peripheral				Reset State
			Signal	Dir	Signal	Dir	Func	Signal	Dir	I/O Set	Signal, Dir, PU, PD, HIZ, ST ⁽³⁾
E13	VDDIN33	GPIO	PC19	I/O	AD6	-	A	I2SMCC1_DIN1	I	1	PIO, I, PU, ST
							B	FLEXCOM9_IO1	I/O	2	
							F	FLEXCOM6_IO0	I/O	4	
A7	VDDIN33	GPIO	PC20	I/O	AD7	-	A	I2SMCC1_DIN2	I	1	PIO, I, PU, ST
							B	FLEXCOM9_IO4	I/O	2,3,4,5	
							F	FLEXCOM6_IO1	I/O	4	
C9	VDDIN33	GPIO	PC21	I/O	AD8	-	A	I2SMCC1_DIN3	I	1	PIO, I, PU, ST
							B	FLEXCOM9_IO2	I/O	2,3,4,5	
							D	D3	I/O	2	
A6	VDDIN33	GPIO	PC22	I/O	AD9	-	F	FLEXCOM6_IO0	I/O	5	PIO, I, PU, ST
							A	I2SMCC0_DIN2	I	1	
							B	FLEXCOM9_IO3	I/O	2,3,4,5	
A5	VDDIN33	GPIO	PC23	I/O	AD10	-	D	D4	I/O	2	PIO, I, PU, ST
							F	FLEXCOM6_IO1	I/O	5	
							A	I2SMCC0_DIN3	I	1	
C11	VDDIN33	GPIO	PC24	I/O	AD11	-	B	FLEXCOM0_IO5	I/O	3	PIO, I, PU, ST
							D	D5	I/O	2	
							F	FLEXCOM7_IO0	I/O	5	
D7	VDDIN33	GPIO	PC25	I/O	-	-	A	-	-	-	PIO, I, PU, ST
							B	FLEXCOM0_IO6	I/O	3	
							C	EXT_IRQ1	I	3	
E11	VDDIN33	GPIO	PC26	I/O	-	-	D	D6	I/O	2	PIO, I, PU, ST
							F	FLEXCOM7_IO1	I/O	5	
							A	NTRST	I	1	
B5	VDDIN33	GPIO	PC27	I/O	-	-	A	TMS_SWDIO	I/O	1	TMS_SWDIO, PU, ST
H15	VDDIN33	GPIO	PC28	I/O	-	-	A	TDI	I	1	TDI, PU, ST
B7	VDDIN33	GPIO	PC29	I/O	-	-	A	TDO	O	1	TDO, ST
A3	VDDIN33	GPIO	PC30	I/O	AD12	-	A	-	-	-	PIO, I, PD, ST
							B	FLEXCOM10_IO0	I/O	2	
D11	VDDIN33	GPIO	PC31	I/O	AD13	-	A	-	-	-	PIO, I, PD, ST
							B	FLEXCOM10_IO1	I/O	2	
B1	VDDIN33	GPIO	PD0	I/O	AD14	-	A	-	-	-	PIO, I, PD, ST
							B	FLEXCOM11_IO0	I/O	2	
F13	VDDIN33	GPIO	PD1	I/O	AD15	-	A	-	-	-	PIO, I, PD, ST
							B	FLEXCOM11_IO1	I/O	2	

.....continued

TFBGA427 Pins	Power Rail	I/O Type ⁽²⁾	Primary		Alternate		PIO Peripheral				Reset State
			Signal	Dir	Signal	Dir	Func	Signal	Dir	I/O Set	Signal, Dir, PU, PD, HIZ, ST ⁽³⁾
E19	VDDSDMMC2	GPIO	PD2	I/O	-	-	A	SDMMC2_RSTN	O	1	PIO, I, PU, ST
							B	PCK0	O	2	
							C	CANTX4	O	1	
							D	D7	I/O	2	
							E	TIOA0	I/O	2	
							F	FLEXCOM8_IO0	I/O	5	
A20	VDDSDMMC2	HSIO	PD3	I/O	-	-	A	SDMMC2_CMD	I/O	1	PIO, I, PU, ST
							B	FLEXCOM0_IO0	I/O	2	
							C	CANRX4	I	1	
							D	NANDRDY	I	2	
							E	TIOB0	I/O	2	
							F	FLEXCOM8_IO1	I/O	5	
D19	VDDSDMMC2	HSIO	PD4	I/O	-	-	A	SDMMC2_CK	I/O	1	PIO, I, PU, ST
							B	FLEXCOM0_IO1	I/O	2	
							C	CANTX5	O	1	
							D	NCS3/NANDCS	O	2	
							E	TCLK0	I	2	
							F	FLEXCOM9_IO0	I/O	5	
C19	VDDSDMMC2	HSIO	PD5	I/O	-	-	A	SDMMC2_DAT0	I/O	1	PIO, I, PU, ST
							B	FLEXCOM0_IO2	I/O	2,3	
							C	CANRX5	I	1	
							D	NWE/NWR0/NANDWE	O	2	
							E	TIOA1	I/O	2	
							F	FLEXCOM9_IO1	I/O	5	
G17	VDDSDMMC2	HSIO	PD6	I/O	-	-	A	SDMMC2_DAT1	I/O	1	PIO, I, PU, ST
							B	FLEXCOM0_IO3	I/O	2,3	
							C	SPDIF_RX	I	3	
							D	NRD/NANDOE	O	2	
							E	TIOB1	I/O	2	
							F	FLEXCOM10_IO0	I/O	5	
F17	VDDSDMMC2	HSIO	PD7	I/O	-	-	A	SDMMC2_DAT2	I/O	1	PIO, I, PU, ST
							B	FLEXCOM0_IO4	I/O	2,3	
							C	SPDIF_TX	O	3	
							D	A21/NANDALE	O	2	
							E	TCLK1	I	2	
							F	FLEXCOM10_IO1	I/O	5	

.....continued

TFBGA427 Pins	Power Rail	I/O Type ⁽²⁾	Primary		Alternate		PIO Peripheral				Reset State
			Signal	Dir	Signal	Dir	Func	Signal	Dir	I/O Set	Signal, Dir, PU, PD, HIZ, ST ⁽³⁾
E17	VDDSDMMC2	HSIO	PD8	I/O	-	-	A	SDMMC2_DAT3	I/O	1	PIO, I, PU, ST
							C	I2SMCC0_DIN0	I	2	
							D	A22/NANDCLE	O	2	
							E	TIOA2	I/O	2	
							F	FLEXCOM11_IO0	I/O	5	
J25	VDDIOP1	GPIO	PD9	I/O	-	-	A	SDMMC2_WP	I	1	PIO, I, PU, ST
							C	I2SMCC0_DIN1	I	2	
							D	D0	I/O	2	
							E	TIOB2	I/O	2	
							F	FLEXCOM11_IO1	I/O	5	
J24	VDDIOP1	GPIO	PD10	I/O	-	-	A	SDMMC2_CD	I	1	PIO, I, PU, ST
							B	PCK6	O	2	
							C	I2SMCC0_DIN2	I	2	
							D	D1	I/O	2	
							E	TCLK2	I	2	
							F	FLEXCOM0_IO0	I/O	3	
H25	VDDIOP1	GPIO	PD11	I/O	-	-	A	SDMMC2_1V8SEL	O	1	PIO, I, PU, ST
							B	PCK7	O	2	
							C	I2SMCC0_DIN3	I	2	
							D	D2	I/O	2	
							E	TIOA3	I/O	2	
							F	FLEXCOM0_IO1	I/O	3	
L19	VDDIOP1	GPIO	PD12	I/O	-	-	A	PCK1	O	2	PIO, I, PU, ST
							B	FLEXCOM1_IO0	I/O	2	
							D	CANTX0	O	2	
							E	TIOB3	I/O	2	
K19	VDDIOP1	GPIO	PD13	I/O	-	-	A	I2SMCC0_CK	I/O	2	PIO, I, PU, ST
							B	FLEXCOM1_IO1	I/O	2	
							C	PWML0	O	4	
							D	CANRX0	I	2	
							E	TCLK3	I	2	
J23	VDDIOP1	GPIO	PD14	I/O	-	-	A	I2SMCC0_MCK	O	2	PIO, I, PU, ST
							B	FLEXCOM1_IO2	I/O	2,3,4	
							C	PWMH0	O	4	
							D	CANTX1	O	2	
							E	TIOA4	I/O	2	
							F	FLEXCOM2_IO0	I/O	5	

.....continued

TFBGA427 Pins	Power Rail	I/O Type ⁽²⁾	Primary		Alternate		PIO Peripheral				Reset State
			Signal	Dir	Signal	Dir	Func	Signal	Dir	I/O Set	Signal, Dir, PU, PD, HIZ, ST ⁽³⁾
J18	VDDIOP1	GPIO	PD15	I/O	-	-	A	I2SMCC0_WS	I/O	2	PIO, I, PU, ST
							B	FLEXCOM1_IO3	I/O	2,3,4	
							C	PWML1	O	4	
							D	CANRX1	I	2	
							E	TIOB4	I/O	2	
							F	FLEXCOM2_IO1	I/O	5	
G25	VDDIOP1	GPIO	PD16	I/O	-	-	A	I2SMCC0_DOUT0	O	2	PIO, I, PU, ST
							B	FLEXCOM1_IO4	I/O	2,3,4	
							C	PWMH1	O	4	
							D	CANTX2	O	2	
							E	TCLK4	I	2	
							F	FLEXCOM3_IO0	I/O	5	
J20	VDDIOP1	GPIO	PD17	I/O	-	-	A	I2SMCC0_DOUT1	O	2	PIO, I, PU, ST
							B	FLEXCOM2_IO0	I/O	2	
							C	PWML2	O	4	
							D	CANRX2	I	2	
							E	TIOA5	I/O	2	
							F	FLEXCOM3_IO1	I/O	5	
F25	VDDIOP1	GPIO	PD18	I/O	-	-	A	I2SMCC0_DOUT2	O	2	PIO, I, PU, ST
							B	FLEXCOM2_IO1	I/O	2	
							C	PWMH2	O	4	
							D	CANTX3	O	2	
							E	TIOB5	I/O	2	
							F	FLEXCOM4_IO0	I/O	5	
J21	VDDIOP1	GPIO	PD19	I/O	-	-	A	I2SMCC0_DOUT3	O	2	PIO, I, PU, ST
							B	FLEXCOM2_IO2	I/O	2,3,4,5	
							C	PWML3	O	4	
							D	CANRX3	I	2	
							E	TCLK5	I	2	
							F	FLEXCOM4_IO1	I/O	5	
E25	VDDIOP1	GPIO	PD20	I/O	-	-	A	PCK0	O	3	PIO, I, PU, ST
							B	FLEXCOM2_IO3	I/O	2,3,4,5	
							C	PWMH3	O	4	
							D	CANTX4	O	2	
							F	FLEXCOM5_IO0	I/O	5	

.....continued

TFBGA427 Pins	Power Rail	I/O Type ⁽²⁾	Primary		Alternate		PIO Peripheral				Reset State
			Signal	Dir	Signal	Dir	Func	Signal	Dir	I/O Set	Signal, Dir, PU, PD, HIZ, ST ⁽³⁾
J22	VDDIOP1	GPIO	PD21	I/O	-	-	A	PCK1	O	3	PIO, I, PU, ST
							B	FLEXCOM2_IO4	I/O	2,3,4,5	
							D	CANRX4	I	2	
							F	FLEXCOM5_IO1	I/O	5	
							G	G1_TXEN	O	1	
G24	VDDIOP1	GPIO	PD22	I/O	-	-	A	PDMC0_CLK	O	2	PIO, I, PU, ST
							C	PWMEXTRG0	I	4	
							D	RD1	I	2	
							F	CANTX5	O	2	
							G	G1_TX0	O	1	
G22	VDDIOP1	GPIO	PD23	I/O	-	-	A	PDMC0_DS0	I	2	PIO, I, PU, ST
							C	PWMEXTRG1	I	4	
							D	RF1	I/O	2	
							E	ISC_MCK	O	2	
							F	CANRX5	I	2	
							G	G1_TX1	O	1	
C25	VDDIOP1	GPIO	PD24	I/O	-	-	A	PDMC0_DS1	I	2	PIO, I, PU, ST
							C	PWMF10	I	4	
							D	RK1	I/O	2	
							E	ISC_D0	I	2	
							G	G1_RXDV	I	1	
G23	VDDIOP1	GPIO	PD25	I/O	-	-	A	PDMC1_CLK	O	2	PIO, I, PU, ST
							B	FLEXCOM5_IO0	I/O	2	
							C	PWMF11	I	4	
							D	TD1	O	2	
							E	ISC_D1	I	2	
							G	G1_RX0	I	1	
E23	VDDIOP1	GPIO	PD26	I/O	-	-	A	PDMC1_DS0	I	2	PIO, I, PU, ST
							B	FLEXCOM5_IO1	I/O	2	
							C	ADTRG	I	3	
							D	TF1	I/O	2	
							E	ISC_D2	I	2	
							G	G1_RX1	I	1	

.....continued												
TFBGA427 Pins	Power Rail	I/O Type ⁽²⁾	Primary		Alternate		PIO Peripheral				Reset State	
			Signal	Dir	Signal	Dir	Func	Signal	Dir	I/O Set	Signal, Dir, PU, PD, HIZ, ST ⁽³⁾	
B25	VDDIOP1	GPIO	PD27	I/O	-	-	A	PDMC1_DS1	I	2	PIO, I, PU, ST	
							B	FLEXCOM5_IO2	I/O	2,3,4,5		
							C	TIOA0	I/O	3		
							D	TK1	I/O	2		
							E	ISC_D3	I	2		
							G	G1_RXER	I	1		
C21	VDDIOP1	GPIO	PD28	I/O	-	-	A	RD0	I	2	PIO, I, PU, ST	
							B	FLEXCOM5_IO3	I/O	2,3,4,5		
							C	TIOB0	I/O	3		
							D	I2SMCC1_CK	I/O	2		
							E	ISC_D4	I	2		
							F	PWML3	O	5		
							G	G1_MDC	O	1		
C24	VDDIOP1	GPIO	PD29	I/O	-	-	A	RF0	I/O	2	PIO, I, PU, ST	
							B	FLEXCOM5_IO4	I/O	2,3,4,5		
							C	TCLK0	I	3		
							D	I2SMCC1_WS	I/O	2		
							E	ISC_D5	I	2		
							F	PWMH3	O	5		
							G	G1_MDIO	I/O	1		
E22	VDDIOP1	GPIO	PD30	I/O	-	-	A	RK0	I/O	2	PIO, I, PU, ST	
							B	FLEXCOM6_IO0	I/O	2		
							C	TIOA1	I/O	3		
							D	I2SMCC1_MCK	O	2		
							E	ISC_D6	I	2		
							F	PWMEXTRG0	I	5		
							G	G1_TXCK	I/O	1		
E24	VDDIOP1	GPIO	PD31	I/O	-	-	A	TD0	O	2	PIO, I, PU, ST	
							B	FLEXCOM6_IO1	I/O	2		
							C	TIOB1	I/O	3		
							D	I2SMCC1_DOUT0	O	2		
							E	ISC_D7	I	2		
							F	PWMEXTRG1	I	5		
							G	G1_TX2	O	1		

.....continued

TFBGA427 Pins	Power Rail	I/O Type ⁽²⁾	Primary		Alternate		PIO Peripheral				Reset State
			Signal	Dir	Signal	Dir	Func	Signal	Dir	I/O Set	Signal, Dir, PU, PD, HIZ, ST ⁽³⁾
D25	VDDIOP1	GPIO	PE0	I/O	-	-	A	TF0	I/O	2	PIO, I, PU, ST
							B	FLEXCOM6_IO2	I/O	2,3,4,5	
							C	TCLK1	I	3	
							D	I2SMCC1_DOUT1	O	2	
							E	ISC_HSYNC	I	2	
							F	PWMF10	I	5	
							G	G1_TX3	O	1	
G21	VDDIOP1	GPIO	PE1	I/O	-	-	A	TK0	I/O	2	PIO, I, PU, ST
							B	FLEXCOM6_IO3	I/O	2,3,4,5	
							C	TIOA2	I/O	3	
							D	I2SMCC1_DOUT2	O	2	
							E	ISC_VSYNC	I	2	
							F	PWMF11	I	5	
							G	G1_RX2	I	1	
A23	VDDIOP1	GPIO	PE2	I/O	-	-	A	PWML0	O	5	PIO, I, PU, ST
							B	FLEXCOM6_IO4	I/O	2,3,4,5	
							C	TIOB2	I/O	3	
							D	I2SMCC1_DOUT3	O	2	
							E	ISC_FIELD	I	2	
							G	G1_RX3	I	1	
B22	VDDIOP1	GPIO	PE3	I/O	-	-	A	PWMH0	O	5	PIO, I, PU, ST
							B	FLEXCOM0_IO0	I/O	4	
							C	TCLK2	I	3	
							D	I2SMCC1_DIN0	I	2	
							E	ISC_PCK	I	2	
							G	G1_RXCK	I	1	
B21	VDDIOP1	GPIO	PE4	I/O	-	-	A	PWML1	O	5	PIO, I, PU, ST
							B	FLEXCOM0_IO1	I/O	4	
							C	TIOA3	I/O	3	
							D	I2SMCC1_DIN1	I	2	
							E	ISC_D8	I	2	
							G	G1_TXER	O	1	
A22	VDDIOP1	GPIO	PE5	I/O	-	-	A	PWMH1	O	5	PIO, I, PU, ST
							B	FLEXCOM0_IO2	I/O	4	
							C	TIOB3	I/O	3	
							D	I2SMCC1_DIN2	I	2	
							E	ISC_D9	I	2	
							G	G1_COL	I	1	

.....continued

TFBGA427 Pins	Power Rail	I/O Type ⁽²⁾	Primary		Alternate		PIO Peripheral				Reset State
			Signal	Dir	Signal	Dir	Func	Signal	Dir	I/O Set	Signal, Dir, PU, PD, HIZ, ST ⁽³⁾
A21	VDDIOP1	GPIO	PE6	I/O	-	-	A	PWML2	O	5	PIO, I, PU, ST
							B	FLEXCOM0_IO3	I/O	4	
							C	TCLK3	I	3	
							D	I2SMCC1_DIN3	I	2	
							E	ISC_D10	I	2	
							G	G1_CRS	I	1	
G20	VDDIOP1	GPIO	PE7	I/O	-	-	A	PWMH2	O	5	PIO, I, PU, ST
							B	FLEXCOM0_IO4	I/O	4	
							C	TIOA4	I/O	3	
							E	ISC_D11	I	2	
							G	G1_TSUCOMP	O	1	
D9	VREFF	Analog input	VREFF	-	-	-	-	-	-	-	-
F14	VDDIN33	Power	VDDIN33	I	-	-	-	-	-	-	-
H16	GNDIN33	Ground	GNDIN33	I	-	-	-	-	-	-	-
E16	GNDANA	Ground	GNDANA	I	-	-	-	-	-	-	-
H10	GNDANA	Ground	GNDANA	I	-	-	-	-	-	-	-
H14	GNDANA	Ground	GNDANA	I	-	-	-	-	-	-	-
Y16	VDDIOP0	Power	VDDIOP0	I	-	-	-	-	-	-	-
Y18	VDDIOP0	Power	VDDIOP0	I	-	-	-	-	-	-	-
F24	VDDIOP1	Power	VDDIOP1	I	-	-	-	-	-	-	-
H24	VDDIOP1	Power	VDDIOP1	I	-	-	-	-	-	-	-
A1	GND	Ground	GND	I	-	-	-	-	-	-	-
A25	GND	Ground	GND	I	-	-	-	-	-	-	-
AA1	GND	Ground	GND	I	-	-	-	-	-	-	-
AA4	GND	Ground	GND	I	-	-	-	-	-	-	-
AA6	GND	Ground	GND	I	-	-	-	-	-	-	-
AA8	GND	Ground	GND	I	-	-	-	-	-	-	-
AA25	GND	Ground	GND	I	-	-	-	-	-	-	-
B2	GND	Ground	GND	I	-	-	-	-	-	-	-
B16	GND	Ground	GND	I	-	-	-	-	-	-	-
B24	GND	Ground	GND	I	-	-	-	-	-	-	-
C3	GND	Ground	GND	I	-	-	-	-	-	-	-
C23	GND	Ground	GND	I	-	-	-	-	-	-	-
D4	GND	Ground	GND	I	-	-	-	-	-	-	-
D20	GND	Ground	GND	I	-	-	-	-	-	-	-
D22	GND	Ground	GND	I	-	-	-	-	-	-	-
E2	GND	Ground	GND	I	-	-	-	-	-	-	-

.....continued

TFBGA427 Pins	Power Rail	I/O Type ⁽²⁾	Primary		Alternate		PIO Peripheral				Reset State	
			Signal	Dir	Signal	Dir	Func	Signal	Dir	I/O Set	Signal, Dir, PU, PD, HIZ, ST ⁽³⁾	
E5	GND	Ground	GND		-	-	-	-	-	-	-	-
E18	GND	Ground	GND		-	-	-	-	-	-	-	-
E21	GND	Ground	GND		-	-	-	-	-	-	-	-
F1	GND	Ground	GND		-	-	-	-	-	-	-	-
F9	GND	Ground	GND		-	-	-	-	-	-	-	-
F20	GND	Ground	GND		-	-	-	-	-	-	-	-
G2	GND	Ground	GND		-	-	-	-	-	-	-	-
G3	GND	Ground	GND		-	-	-	-	-	-	-	-
G5	GND	Ground	GND		-	-	-	-	-	-	-	-
G7	GND	Ground	GND		-	-	-	-	-	-	-	-
G9	GND	Ground	GND		-	-	-	-	-	-	-	-
H1	GND	Ground	GND		-	-	-	-	-	-	-	-
H5	GND	Ground	GND		-	-	-	-	-	-	-	-
H8	GND	Ground	GND		-	-	-	-	-	-	-	-
H21	GND	Ground	GND		-	-	-	-	-	-	-	-
J1	GND	Ground	GND		-	-	-	-	-	-	-	-
J3	GND	Ground	GND		-	-	-	-	-	-	-	-
J5	GND	Ground	GND		-	-	-	-	-	-	-	-
J7	GND	Ground	GND		-	-	-	-	-	-	-	-
J9	GND	Ground	GND		-	-	-	-	-	-	-	-
J10	GND	Ground	GND		-	-	-	-	-	-	-	-
J16	GND	Ground	GND		-	-	-	-	-	-	-	-
K2	GND	Ground	GND		-	-	-	-	-	-	-	-
K8	GND	Ground	GND		-	-	-	-	-	-	-	-
K10	GND	Ground	GND		-	-	-	-	-	-	-	-
K11	GND	Ground	GND		-	-	-	-	-	-	-	-
K13	GND	Ground	GND		-	-	-	-	-	-	-	-
K15	GND	Ground	GND		-	-	-	-	-	-	-	-
K21	GND	Ground	GND		-	-	-	-	-	-	-	-
L1	GND	Ground	GND		-	-	-	-	-	-	-	-
L3	GND	Ground	GND		-	-	-	-	-	-	-	-
L5	GND	Ground	GND		-	-	-	-	-	-	-	-
L7	GND	Ground	GND		-	-	-	-	-	-	-	-
L8	GND	Ground	GND		-	-	-	-	-	-	-	-
L12	GND	Ground	GND		-	-	-	-	-	-	-	-
L14	GND	Ground	GND		-	-	-	-	-	-	-	-
L16	GND	Ground	GND		-	-	-	-	-	-	-	-
L17	GND	Ground	GND		-	-	-	-	-	-	-	-

.....continued

TFBGA427 Pins	Power Rail	I/O Type ⁽²⁾	Primary		Alternate		PIO Peripheral				Reset State	
			Signal	Dir	Signal	Dir	Func	Signal	Dir	I/O Set	Signal, Dir, PU, PD, HIZ, ST ⁽³⁾	
L18	GND	Ground	GND		-	-	-	-	-	-	-	-
M2	GND	Ground	GND		-	-	-	-	-	-	-	-
M5	GND	Ground	GND		-	-	-	-	-	-	-	-
M6	GND	Ground	GND		-	-	-	-	-	-	-	-
M8	GND	Ground	GND		-	-	-	-	-	-	-	-
M11	GND	Ground	GND		-	-	-	-	-	-	-	-
M13	GND	Ground	GND		-	-	-	-	-	-	-	-
M15	GND	Ground	GND		-	-	-	-	-	-	-	-
M17	GND	Ground	GND		-	-	-	-	-	-	-	-
M18	GND	Ground	GND		-	-	-	-	-	-	-	-
M21	GND	Ground	GND		-	-	-	-	-	-	-	-
N1	GND	Ground	GND		-	-	-	-	-	-	-	-
N2	GND	Ground	GND		-	-	-	-	-	-	-	-
N4	GND	Ground	GND		-	-	-	-	-	-	-	-
N7	GND	Ground	GND		-	-	-	-	-	-	-	-
N9	GND	Ground	GND		-	-	-	-	-	-	-	-
N10	GND	Ground	GND		-	-	-	-	-	-	-	-
N12	GND	Ground	GND		-	-	-	-	-	-	-	-
N14	GND	Ground	GND		-	-	-	-	-	-	-	-
N18	GND	Ground	GND		-	-	-	-	-	-	-	-
P2	GND	Ground	GND		-	-	-	-	-	-	-	-
P5	GND	Ground	GND		-	-	-	-	-	-	-	-
P8	GND	Ground	GND		-	-	-	-	-	-	-	-
P11	GND	Ground	GND		-	-	-	-	-	-	-	-
P13	GND	Ground	GND		-	-	-	-	-	-	-	-
P18	GND	Ground	GND		-	-	-	-	-	-	-	-
P24	GND	Ground	GND		-	-	-	-	-	-	-	-
R1	GND	Ground	GND		-	-	-	-	-	-	-	-
R3	GND	Ground	GND		-	-	-	-	-	-	-	-
R6	GND	Ground	GND		-	-	-	-	-	-	-	-
R7	GND	Ground	GND		-	-	-	-	-	-	-	-
R10	GND	Ground	GND		-	-	-	-	-	-	-	-
R11	GND	Ground	GND		-	-	-	-	-	-	-	-
R19	GND	Ground	GND		-	-	-	-	-	-	-	-
T2	GND	Ground	GND		-	-	-	-	-	-	-	-
T5	GND	Ground	GND		-	-	-	-	-	-	-	-
T9	GND	Ground	GND		-	-	-	-	-	-	-	-
T11	GND	Ground	GND		-	-	-	-	-	-	-	-

.....continued

TFBGA427 Pins	Power Rail	I/O Type ⁽²⁾	Primary		Alternate		PIO Peripheral				Reset State	
			Signal	Dir	Signal	Dir	Func	Signal	Dir	I/O Set	Signal, Dir, PU, PD, HIZ, ST ⁽³⁾	
T12	GND	Ground	GND		-	-	-	-	-	-	-	-
T21	GND	Ground	GND		-	-	-	-	-	-	-	-
U1	GND	Ground	GND		-	-	-	-	-	-	-	-
U3	GND	Ground	GND		-	-	-	-	-	-	-	-
U8	GND	Ground	GND		-	-	-	-	-	-	-	-
U10	GND	Ground	GND		-	-	-	-	-	-	-	-
U12	GND	Ground	GND		-	-	-	-	-	-	-	-
U14	GND	Ground	GND		-	-	-	-	-	-	-	-
U16	GND	Ground	GND		-	-	-	-	-	-	-	-
U18	GND	Ground	GND		-	-	-	-	-	-	-	-
V2	GND	Ground	GND		-	-	-	-	-	-	-	-
V4	GND	Ground	GND		-	-	-	-	-	-	-	-
V7	GND	Ground	GND		-	-	-	-	-	-	-	-
V9	GND	Ground	GND		-	-	-	-	-	-	-	-
V24	GND	Ground	GND		-	-	-	-	-	-	-	-
W1	GND	Ground	GND		-	-	-	-	-	-	-	-
W3	GND	Ground	GND		-	-	-	-	-	-	-	-
W5	GND	Ground	GND		-	-	-	-	-	-	-	-
W11	GND	Ground	GND		-	-	-	-	-	-	-	-
W23	GND	Ground	GND		-	-	-	-	-	-	-	-
Y2	GND	Ground	GND		-	-	-	-	-	-	-	-
Y5	GND	Ground	GND		-	-	-	-	-	-	-	-
Y7	GND	Ground	GND		-	-	-	-	-	-	-	-
Y10	GND	Ground	GND		-	-	-	-	-	-	-	-
Y12	GND	Ground	GND		-	-	-	-	-	-	-	-
Y24	GND	Ground	GND		-	-	-	-	-	-	-	-
F10	VDDANA	Power	VDDANA		-	-	-	-	-	-	-	-
F12	VDDANA	Power	VDDANA		-	-	-	-	-	-	-	-
J15	VDDANAOUT	Analog output	VDDOUT25		-	-	-	-	-	-	-	-
G11	VDDCORE	Power	VDDCORE		-	-	-	-	-	-	-	-
H12	VDDCORE	Power	VDDCORE		-	-	-	-	-	-	-	-
J17	VDDCORE	Power	VDDCORE		-	-	-	-	-	-	-	-
K17	VDDCORE	Power	VDDCORE		-	-	-	-	-	-	-	-
K20	VDDCORE	Power	VDDCORE		-	-	-	-	-	-	-	-
L13	VDDCORE	Power	VDDCORE		-	-	-	-	-	-	-	-
M12	VDDCORE	Power	VDDCORE		-	-	-	-	-	-	-	-
N17	VDDCORE	Power	VDDCORE		-	-	-	-	-	-	-	-

.....continued

TFBGA427	Pins	Power Rail	I/O Type ⁽²⁾	Primary		Alternate		PIO Peripheral			Reset State	
				Signal	Dir	Signal	Dir	Func	Signal	Dir	I/O Set	Signal, Dir, PU, PD, HIZ, ST ⁽³⁾
N19		VDDCORE	Power	VDDCORE	I	-	-	-	-	-	-	-
P21		VDDCORE	Power	VDDCORE	I	-	-	-	-	-	-	-
T14		VDDCORE	Power	VDDCORE	I	-	-	-	-	-	-	-
T16		VDDCORE	Power	VDDCORE	I	-	-	-	-	-	-	-
T24		VDDCORE	Power	VDDCORE	I	-	-	-	-	-	-	-
V19		VDDCORE	Power	VDDCORE	I	-	-	-	-	-	-	-
F21		VDDCPU	Power	VDDCPU	I	-	-	-	-	-	-	-
G19		VDDCPU	Power	VDDCPU	I	-	-	-	-	-	-	-
H20		VDDCPU	Power	VDDCPU	I	-	-	-	-	-	-	-
J19		VDDCPU	Power	VDDCPU	I	-	-	-	-	-	-	-
K18		VDDCPU	Power	VDDCPU	I	-	-	-	-	-	-	-
E8		GNDUTMI	Ground	GNDUTMI	I	-	-	-	-	-	-	-
E10		GNDUTMI	Ground	GNDUTMI	I	-	-	-	-	-	-	-
E12		GNDUTMI	Ground	GNDUTMI	I	-	-	-	-	-	-	-
E14		GNDUTMI	Ground	GNDUTMI	I	-	-	-	-	-	-	-
H18		GNDUTMI	Ground	GNDUTMI	I	-	-	-	-	-	-	-
B8		VDDUTMI	Power	VDDUTMI	I	-	-	-	-	-	-	-
B10		VDDUTMI	Power	VDDUTMI	I	-	-	-	-	-	-	-
B12		VDDUTMI	Power	VDDUTMI	I	-	-	-	-	-	-	-
B14		VDDUTMI	Power	VDDUTMI	I	-	-	-	-	-	-	-
F16		VDDUTMI	Power	VDDUTMI	I	-	-	-	-	-	-	-
A11		VDDUTMI	-	HHSB_DP	I/O	-	-	-	-	-	-	-
B11		VDDUTMI	-	HHSB_DM	I/O	-	-	-	-	-	-	-
C13		VDDUTMI	-	HHSB_CC1	I/O	-	-	-	-	-	-	-
D15		VDDUTMI	-	HHSB_CC2	I/O	-	-	-	-	-	-	-
A10		VDDUTMI	Analog input	HHSB_RTUNE	I	-	-	-	-	-	-	-
A13		VDDUTMI	-	HHSB_DP	I/O	-	-	-	-	-	-	-
B13		VDDUTMI	-	HHSB_DM	I/O	-	-	-	-	-	-	-
C15		VDDUTMI	-	HHSB_CC1	I/O	-	-	-	-	-	-	-
D17		VDDUTMI	-	HHSB_CC2	I/O	-	-	-	-	-	-	-
A12		VDDUTMI	Analog input	HHSB_RTUNE	I	-	-	-	-	-	-	-
A15		VDDUTMI	-	HHSC_DP	I/O	-	-	-	-	-	-	-
B15		VDDUTMI	-	HHSC_DM	I/O	-	-	-	-	-	-	-
A14		VDDUTMI	Analog input	HHSC_RTUNE	I	-	-	-	-	-	-	-
K12		VDDIODDR	Power	VDDIODDR	I	-	-	-	-	-	-	-

.....continued

TFBGA427 Pins	Power Rail	I/O Type ⁽²⁾	Primary		Alternate		PIO Peripheral				Reset State	
			Signal	Dir	Signal	Dir	Func	Signal	Dir	I/O Set	Signal, Dir, PU, PD, HIZ, ST ⁽³⁾	
K14	VDDIODDR	Power	VDDIODDR	I	-	-	-	-	-	-	-	-
L9	VDDIODDR	Power	VDDIODDR	I	-	-	-	-	-	-	-	-
L10	VDDIODDR	Power	VDDIODDR	I	-	-	-	-	-	-	-	-
L11	VDDIODDR	Power	VDDIODDR	I	-	-	-	-	-	-	-	-
L15	VDDIODDR	Power	VDDIODDR	I	-	-	-	-	-	-	-	-
M9	VDDIODDR	Power	VDDIODDR	I	-	-	-	-	-	-	-	-
M10	VDDIODDR	Power	VDDIODDR	I	-	-	-	-	-	-	-	-
M14	VDDIODDR	Power	VDDIODDR	I	-	-	-	-	-	-	-	-
M16	VDDIODDR	Power	VDDIODDR	I	-	-	-	-	-	-	-	-
N11	VDDIODDR	Power	VDDIODDR	I	-	-	-	-	-	-	-	-
N13	VDDIODDR	Power	VDDIODDR	I	-	-	-	-	-	-	-	-
N15	VDDIODDR	Power	VDDIODDR	I	-	-	-	-	-	-	-	-
P10	VDDIODDR	Power	VDDIODDR	I	-	-	-	-	-	-	-	-
P12	VDDIODDR	Power	VDDIODDR	I	-	-	-	-	-	-	-	-
P14	VDDIODDR	Power	VDDIODDR	I	-	-	-	-	-	-	-	-
R13	VDDIODDR	Power	VDDIODDR	I	-	-	-	-	-	-	-	-
E4	VDDIODDR	Analog input	DDR_VREF	-	-	-	-	-	-	-	-	-
R12	VDDIODDR	Analog input	DDR_VREF	-	-	-	-	-	-	-	-	-
G4	VDDIODDR	Analog input	DDRM_ZQ	-	-	-	-	-	-	-	-	-
J12	VDDIODDR	Analog input	DDR_ZQ	-	-	-	-	-	-	-	-	-
A4	DDRM_VDD	Power	DDRM_VDD	-	-	-	-	-	-	-	-	-
AA3	DDRM_VDD	Power	DDRM_VDD	-	-	-	-	-	-	-	-	-
AA5	DDRM_VDD	Power	DDRM_VDD	-	-	-	-	-	-	-	-	-
AA7	DDRM_VDD	Power	DDRM_VDD	-	-	-	-	-	-	-	-	-
B6	DDRM_VDD	Power	DDRM_VDD	-	-	-	-	-	-	-	-	-
E1	DDRM_VDD	Power	DDRM_VDD	-	-	-	-	-	-	-	-	-
E3	DDRM_VDD	Power	DDRM_VDD	-	-	-	-	-	-	-	-	-
E7	DDRM_VDD	Power	DDRM_VDD	-	-	-	-	-	-	-	-	-
E9	DDRM_VDD	Power	DDRM_VDD	-	-	-	-	-	-	-	-	-
F2	DDRM_VDD	Power	DDRM_VDD	-	-	-	-	-	-	-	-	-
F5	DDRM_VDD	Power	DDRM_VDD	-	-	-	-	-	-	-	-	-
F6	DDRM_VDD	Power	DDRM_VDD	-	-	-	-	-	-	-	-	-
F8	DDRM_VDD	Power	DDRM_VDD	-	-	-	-	-	-	-	-	-
G1	DDRM_VDD	Power	DDRM_VDD	-	-	-	-	-	-	-	-	-

.....continued

TFBGA427 Pins	Power Rail	I/O Type ⁽²⁾	Primary		Alternate		PIO Peripheral				Reset State	
			Signal	Dir	Signal	Dir	Func	Signal	Dir	I/O Set	Signal, Dir, PU, PD, HIZ, ST ⁽³⁾	
G6	DDRM_VDD	Power	DDRM_VDD	-	-	-	-	-	-	-	-	-
H2	DDRM_VDD	Power	DDRM_VDD	-	-	-	-	-	-	-	-	-
H6	DDRM_VDD	Power	DDRM_VDD	-	-	-	-	-	-	-	-	-
J2	DDRM_VDD	Power	DDRM_VDD	-	-	-	-	-	-	-	-	-
J4	DDRM_VDD	Power	DDRM_VDD	-	-	-	-	-	-	-	-	-
J6	DDRM_VDD	Power	DDRM_VDD	-	-	-	-	-	-	-	-	-
K1	DDRM_VDD	Power	DDRM_VDD	-	-	-	-	-	-	-	-	-
K5	DDRM_VDD	Power	DDRM_VDD	-	-	-	-	-	-	-	-	-
K6	DDRM_VDD	Power	DDRM_VDD	-	-	-	-	-	-	-	-	-
K7	DDRM_VDD	Power	DDRM_VDD	-	-	-	-	-	-	-	-	-
K9	DDRM_VDD	Power	DDRM_VDD	-	-	-	-	-	-	-	-	-
L2	DDRM_VDD	Power	DDRM_VDD	-	-	-	-	-	-	-	-	-
L4	DDRM_VDD	Power	DDRM_VDD	-	-	-	-	-	-	-	-	-
L6	DDRM_VDD	Power	DDRM_VDD	-	-	-	-	-	-	-	-	-
M1	DDRM_VDD	Power	DDRM_VDD	-	-	-	-	-	-	-	-	-
M7	DDRM_VDD	Power	DDRM_VDD	-	-	-	-	-	-	-	-	-
N3	DDRM_VDD	Power	DDRM_VDD	-	-	-	-	-	-	-	-	-
N5	DDRM_VDD	Power	DDRM_VDD	-	-	-	-	-	-	-	-	-
N6	DDRM_VDD	Power	DDRM_VDD	-	-	-	-	-	-	-	-	-
N8	DDRM_VDD	Power	DDRM_VDD	-	-	-	-	-	-	-	-	-
P1	DDRM_VDD	Power	DDRM_VDD	-	-	-	-	-	-	-	-	-
P6	DDRM_VDD	Power	DDRM_VDD	-	-	-	-	-	-	-	-	-
R2	DDRM_VDD	Power	DDRM_VDD	-	-	-	-	-	-	-	-	-
R4	DDRM_VDD	Power	DDRM_VDD	-	-	-	-	-	-	-	-	-
R5	DDRM_VDD	Power	DDRM_VDD	-	-	-	-	-	-	-	-	-
R9	DDRM_VDD	Power	DDRM_VDD	-	-	-	-	-	-	-	-	-
T1	DDRM_VDD	Power	DDRM_VDD	-	-	-	-	-	-	-	-	-
T6	DDRM_VDD	Power	DDRM_VDD	-	-	-	-	-	-	-	-	-
T8	DDRM_VDD	Power	DDRM_VDD	-	-	-	-	-	-	-	-	-
T10	DDRM_VDD	Power	DDRM_VDD	-	-	-	-	-	-	-	-	-
U2	DDRM_VDD	Power	DDRM_VDD	-	-	-	-	-	-	-	-	-
U4	DDRM_VDD	Power	DDRM_VDD	-	-	-	-	-	-	-	-	-
U5	DDRM_VDD	Power	DDRM_VDD	-	-	-	-	-	-	-	-	-
U7	DDRM_VDD	Power	DDRM_VDD	-	-	-	-	-	-	-	-	-
U9	DDRM_VDD	Power	DDRM_VDD	-	-	-	-	-	-	-	-	-
V1	DDRM_VDD	Power	DDRM_VDD	-	-	-	-	-	-	-	-	-
V6	DDRM_VDD	Power	DDRM_VDD	-	-	-	-	-	-	-	-	-
W2	DDRM_VDD	Power	DDRM_VDD	-	-	-	-	-	-	-	-	-

.....continued

TFBGA427 Pins	Power Rail	I/O Type ⁽²⁾	Primary		Alternate		PIO Peripheral				Reset State	
			Signal	Dir	Signal	Dir	Func	Signal	Dir	I/O Set	Signal, Dir, PU, PD, HIZ, ST ⁽³⁾	
W6	DDRM_VDD	Power	DDRM_VDD	-	-	-	-	-	-	-	-	-
W7	DDRM_VDD	Power	DDRM_VDD	-	-	-	-	-	-	-	-	-
W9	DDRM_VDD	Power	DDRM_VDD	-	-	-	-	-	-	-	-	-
Y1	DDRM_VDD	Power	DDRM_VDD	-	-	-	-	-	-	-	-	-
Y4	DDRM_VDD	Power	DDRM_VDD	-	-	-	-	-	-	-	-	-
Y6	DDRM_VDD	Power	DDRM_VDD	-	-	-	-	-	-	-	-	-
Y8	DDRM_VDD	Power	DDRM_VDD	-	-	-	-	-	-	-	-	-
T20	VDDDPHY	Power	VDDDPHY	I	-	-	-	-	-	-	-	-
U21	VDDDPHY	Power	VDDDPHY	I	-	-	-	-	-	-	-	-
V20	GNDDPHY	Ground	GNDDPHY	I	-	-	-	-	-	-	-	-
V22	GNDDPHY	Ground	GNDDPHY	I	-	-	-	-	-	-	-	-
Y21	VDDDPHY	-	MIPI_CLKN	-	-	-	-	-	-	-	-	-
AA21	VDDDPHY	-	MIPI_CLKP	-	-	-	-	-	-	-	-	-
Y22	VDDDPHY	Analog input	MIPI_DN0	-	-	-	-	-	-	-	-	-
AA22	VDDDPHY	Analog input	MIPI_DP0	-	-	-	-	-	-	-	-	-
Y20	VDDDPHY	Analog input	MIPI_DN1	-	-	-	-	-	-	-	-	-
AA20	VDDDPHY	Analog input	MIPI_DP1	-	-	-	-	-	-	-	-	-
AA23	VDDDPHY	Analog input	MIPI_REXT	-	-	-	-	-	-	-	-	-
M24	VDDSDMMC0	Power	VDDSDMMC0	I	-	-	-	-	-	-	-	-
B18	VDDSDMMC1	Power	VDDSDMMC1	I	-	-	-	-	-	-	-	-
D24	VDDSDMMC2	Power	VDDSDMMC2	I	-	-	-	-	-	-	-	-
M20	VDDSDMMC0	Analog input	SDMMC0_CAL	-	-	-	-	-	-	-	-	-
F18	VDDSDMMC1	Analog input	SDMMC1_CAL	-	-	-	-	-	-	-	-	-
B20	VDDSDMMC2	Analog input	SDMMC2_CAL	-	-	-	-	-	-	-	-	-
N16	GNDBAT	Ground	GNDBAT	I	-	-	-	-	-	-	-	-
K16	VBAT	Power	VBAT	I	-	-	-	-	-	-	-	-
V13	VBAT	PIOBU	PIOBU0	-	-	-	-	-	-	-	-	-
T15	VBAT	PIOBU	PIOBU1	-	-	-	-	-	-	-	-	-
V11	VBAT	PIOBU	PIOBU2	-	-	-	-	-	-	-	-	-
U13	VBAT	PIOBU	PIOBU3	-	-	-	-	-	-	-	-	-
C2	VDDIN33	-	XIN	-	-	-	-	-	-	-	-	-

.....continued

TFBGA427 Pins	Power Rail	I/O Type ⁽²⁾	Primary		Alternate		PIO Peripheral				Reset State	
			Signal	Dir	Signal	Dir	Func	Signal	Dir	I/O Set	Signal, Dir, PU, PD, HiZ, ST ⁽³⁾	
C1	VDDIN33	-	XOUT	-	-	-	-	-	-	-	-	-
Y9	VBAT	-	XIN32	-	-	-	-	-	-	-	-	-
AA9	VBAT	-	XOUT32	-	-	-	-	-	-	-	-	-
U11	VBAT	-	TST	-	-	-	-	-	-	-	-	-
T13	VBAT	-	JTAGSEL	-	-	-	-	-	-	-	-	-
Y11	VBAT	-	WKUP0	-	-	-	-	-	-	-	-	-
R15	VBAT	-	SHDN	-	-	-	-	-	-	-	-	-
G13	VDDIN33	-	NRST	-	-	-	-	-	-	-	-	-
B9	VDDIN33	-	NRST_OUT	-	-	-	-	-	-	-	-	-
J11	VDDIN33	GPIO	AUDIOCLK	-	-	-	-	-	-	-	-	-
P15	VBAT	-	LPM	-	-	-	-	-	-	-	-	-
P20	VDDQSPI0	-	VDDQSPI0	-	-	-	-	-	-	-	-	-
R17	VDDQSPI0	Analog input	QSPI0_CAL	-	-	-	-	-	-	-	-	-
K24	VDDQSPI1	-	VDDQSPI1	-	-	-	-	-	-	-	-	-

Notes:

1. DDRM_VDD and VDDIODDR must be connected to one single-power plane of the application PCB.
2. See [Electrical Characteristics](#) for further details.
3. Signal = 'PIO' if GPIO; Dir = Direction; PU = Pull-up; PD = Pull-down; HiZ = High impedance; ST = Schmitt Trigger

9. Electrical Characteristics

The Electrical Characteristics sections in the SAMA7G5 Series and DDR3L SDRAM data sheets (see [Reference Documents](#)) apply to this device. Complementary information is provided in the following sections.

The VDDQ and VDD power inputs described in the DDR3L SDRAM data sheets are connected to the SAMA7G5 Series SiP balls called “DDRM_VDD”. Therefore, the requirements placed on VDDQ and VDD power inputs in the “Absolute Maximum Ratings” and “Recommended DC Operating Conditions” sections of these data sheets apply to the DDRM_VDD power inputs.

9.1 Recommended Thermal Operating Conditions

Table 9-1. Recommended Thermal Operating Conditions

Symbol	Parameter	Min	Max	Unit
T _{J_MPU}	Junction temperature range	-40	105	°C
T _{J_DDR3L}	Junction temperature range	-40	105	°C

Table 9-2. TFBGA427 Package Thermal Characteristics⁽¹⁾⁽²⁾⁽³⁾

Symbol	Parameter	Typ	Unit
R _{JA}	Junction-to-ambient thermal resistance	21	°C/W

Notes:

1. $R_{JA} = (T_{J_MPU} - T_A) / P_{MPU}$, where T_A is the ambient temperature and P_{MPU} is the processor power consumption. The DDR3L SDRAM junction temperature is always lower than the MPU junction temperature.
2. According to the JEDEC JESD51-2 standard, with 2s2p board and 0 m/s air flow.
3. The package characteristics in the table above are provided according to the JEDEC JESD51-2 standard with the 2s2p board and 0 m/s air flow. These values are not directly applicable to the final application. As per JEDEC standards, these parameters represent the device mounted on a specific PCB under controlled conditions. In real-world applications, the PCB design and construction, airflow, and other factors may significantly impact thermal characteristics.

9.2 Power Sequences

The DDR3L SDRAM power rail (DDRM_VDD) must be connected to VDDIODDR on the PCB. Refer to Recommended Power Supply Sequencing in the Electrical Characteristics section of the SAMA7G5 Series data sheet.

9.3 Device Power Consumption in Applicative Use Cases

[Table 9-4](#) provides the device power consumption in the following conditions:

- f_{CPU_CLK}: 1 GHz
- f_{MCK1}: 200 MHz
- f_{MCK2}: 533 MHz
- f_{MCK3}: 266 MHz
- f_{MCK4}: 400 MHz
- I and D caches enabled
- Use cases run on Linux®
- Ambient temperature: 25°C
- Current consumptions are measured as shown in [Figure 9-1](#). Note that the external component current consumptions are not counted.

Table 9-3 reports active power consumption data measured on a few SAMA7G5 SiP typical process samples. These data do not include specifications for maximum power consumption.

Table 9-3. Use Case Definition

Use Case	Description
1	Audio MP3 decoding and playback on I ² S; MP3 file on USB mass storage
2	SAMA7G54 running as iPerf server
3	Run Bonnie++ on USB mass storage
4	SAMA7G54 downloads a file from GMAC0 and copies this file to USB mass storage
5	Streaming camera on Ethernet (image format: RAW8, 1080p @ 30 fps)

Figure 9-1. Current Measurement for Applicative Use Cases

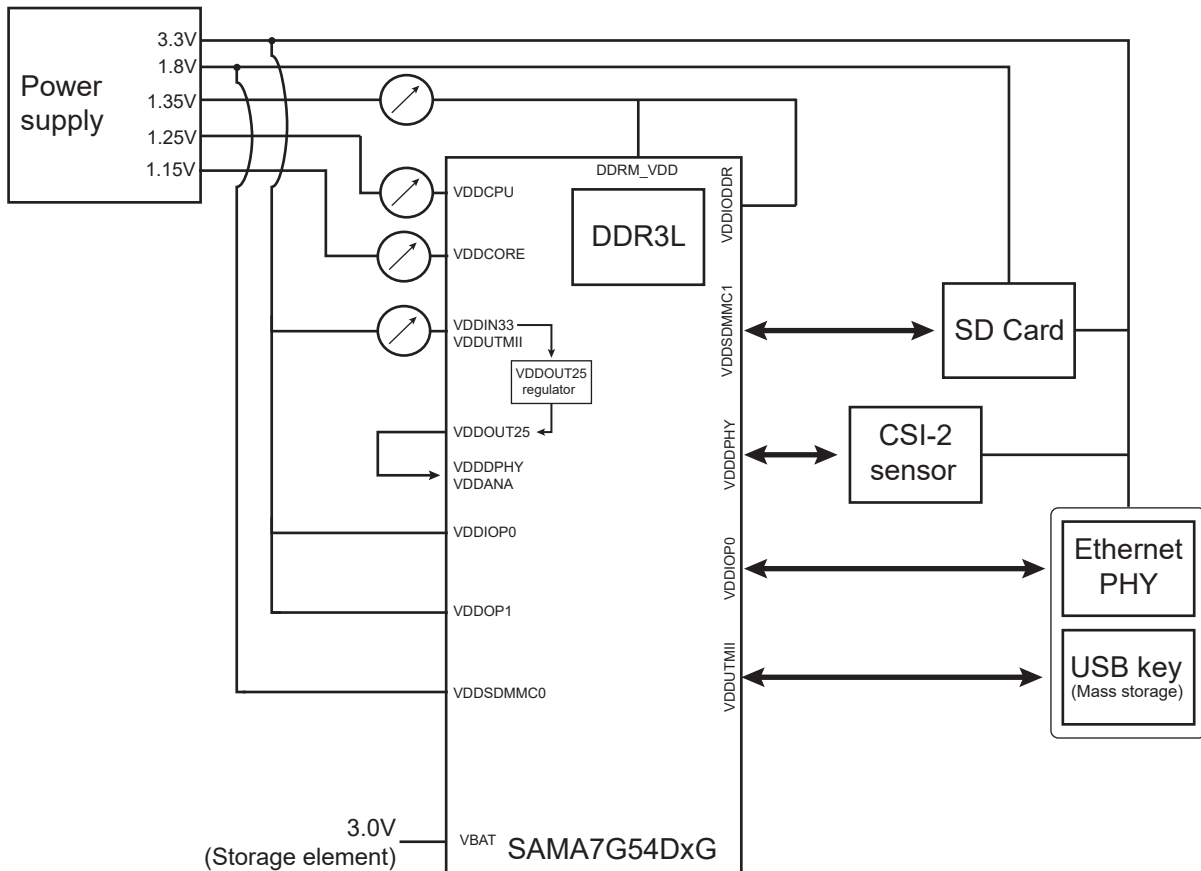


Table 9-4. Power Consumption in Applicative Use Cases

Use Case	Power Consumption (mW)				
	VDDCORE 1.15V	VDDCPU 1.25V	VDDIODDR DDR _M _VDD 1.35V	VDDIN33 VDDUTMI 3.3V	Total
1	250	85	91	127	553
2	281	215	190	157	843
3	274	253	113	123	762
4	278	216	168	121	784
5	283	183	140	138	744

9.4 Power Consumption in Idle and Ultra-Low Power (ULP0, ULP1, ULP2) Modes with SDRAM in Self-Refresh

For a complete description of how to enter and exit ULP0, ULP1 or ULP2 mode, refer to the SAMA7G5 Series data sheet (see [Reference Documents](#)).

Table 9-5. Typical Power Consumption in Idle, ULP0, ULP1 or ULP2 Mode on VDDIODDR and DDR_M_VDD

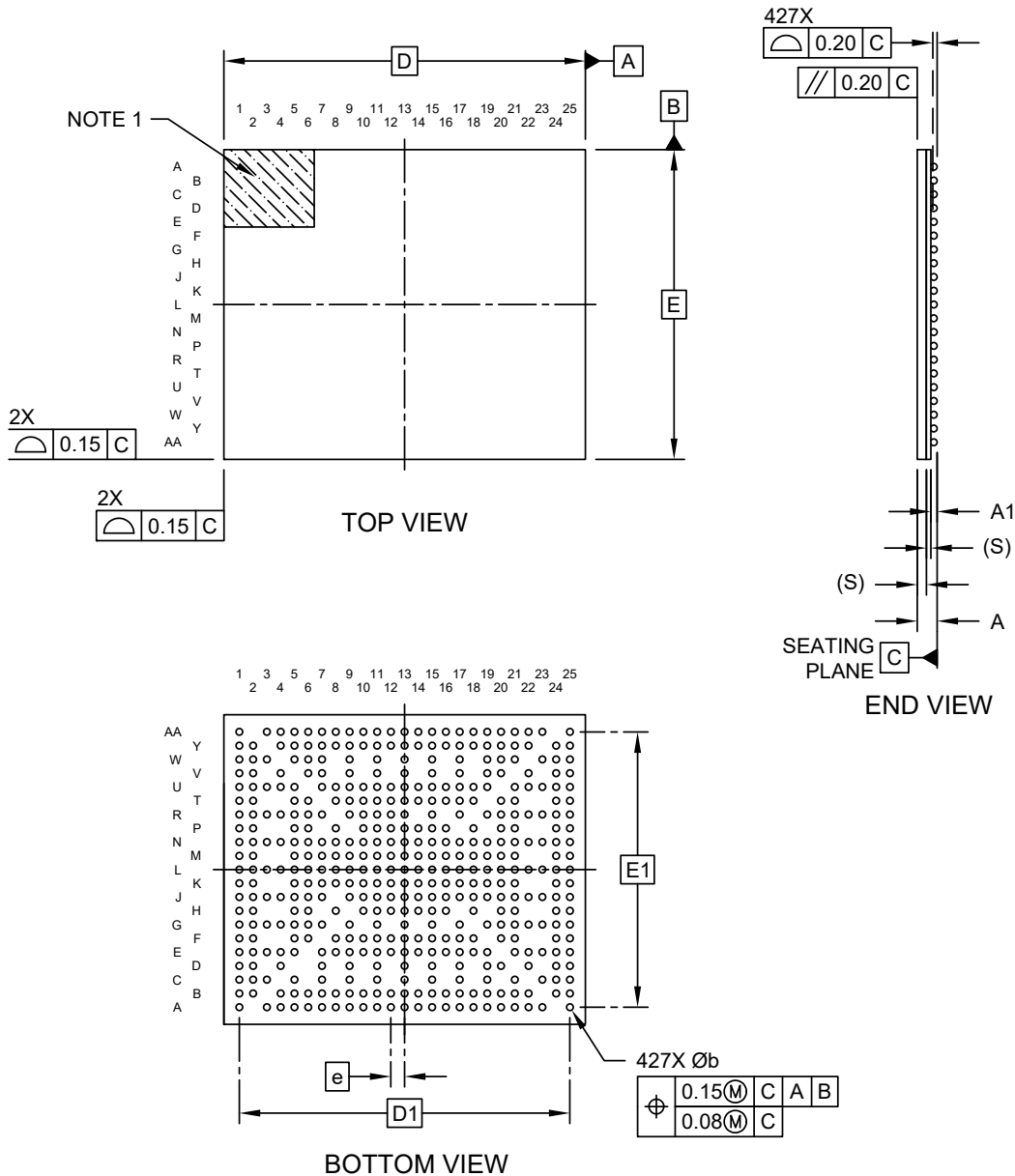
VDDIODDR DDR _M _VDD (V)	T _A =-40°C	T _A = 25°C	T _A = 50°C	T _A = 70°C	T _A =85°C	Unit
1.35	3.7	4.3	5.1	6.3	7.7	mW

10. Mechanical Characteristics

10.1 427-Ball TFBGA Mechanical Characteristics

427-Ball Thin Fine-Pitch Ball Grid Array (4UB) - 21x18x1.2 mm Body [TFBGA]

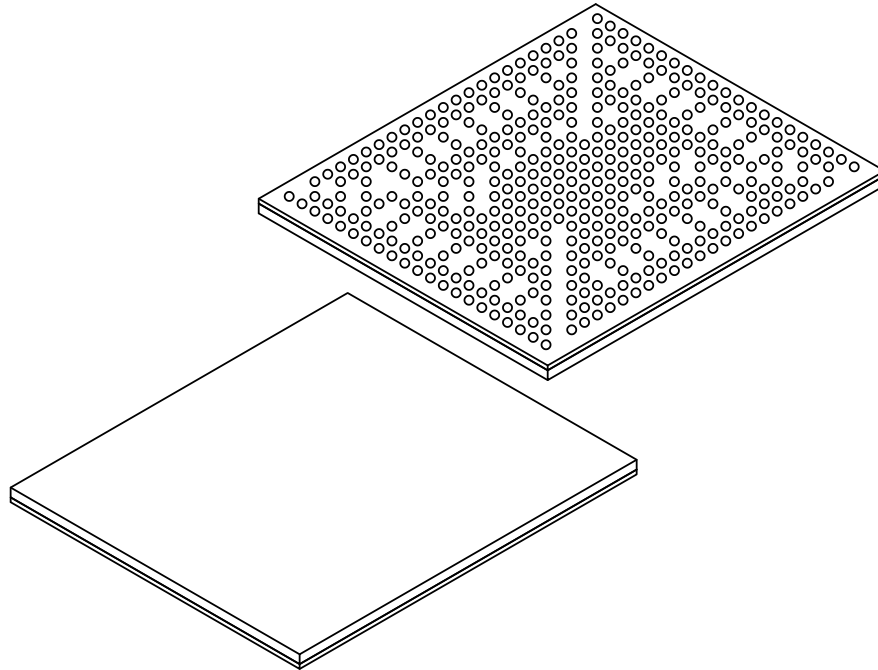
Note: For the most current package drawings, please see the Microchip Packaging Specification located at <http://www.microchip.com/packaging>



Microchip Technology Drawing C04-21537 Rev A Sheet 1 of 2

427-Ball Thin Fine-Pitch Ball Grid Array (4UB) - 21x18x1.2 mm Body [TFBGA]

Note: For the most current package drawings, please see the Microchip Packaging Specification located at <http://www.microchip.com/packaging>



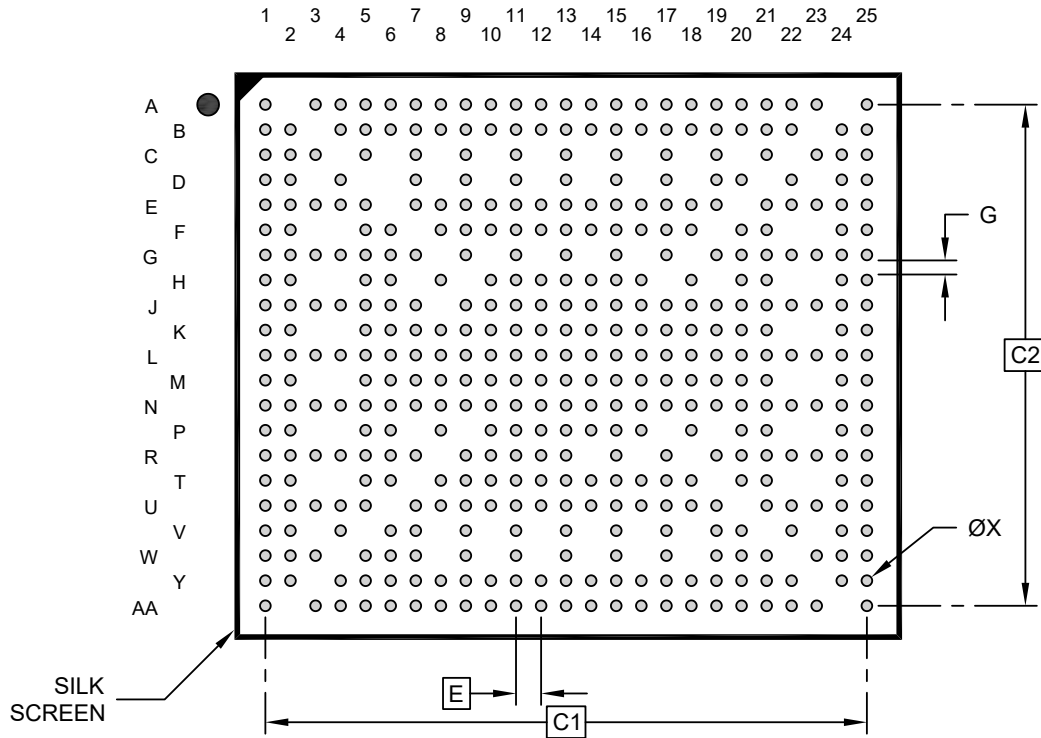
Dimension Limits	Units	MILLIMETERS		
		MIN	NOM	MAX
Number of Terminals	N	427		
Pitch	e	0.80 BSC		
Overall Height	A	–	–	1.20
Ball Height	A1	0.27	–	0.37
Mold Thickness	M	0.53 REF		
Substrate Thickness	S	0.26 REF		
Overall Length	D	21.00 BSC		
Ball Array Length	D2	19.20 BSC		
Overall Width	E	18.00 BSC		
Ball Array Width	E2	16.00 BSC		
Ball Width	b	0.38	–	0.45

Notes:

1. Pin 1 visual index feature may vary, but must be located within the hatched area.
2. Package is saw singulated
3. Dimensioning and tolerancing per ASME Y14.5M
 BSC: Basic Dimension. Theoretically exact value shown without tolerances.
 REF: Reference Dimension, usually without tolerance, for information purposes only.

427-Ball Thin Fine-Pitch Ball Grid Array (4UB) - 21x18x1.2 mm Body [TFBGA]

Note: For the most current package drawings, please see the Microchip Packaging Specification located at <http://www.microchip.com/packaging>



RECOMMENDED LAND PATTERN

Dimension Limits	Units	MILLIMETERS		
		MIN	NOM	MAX
Contact Pitch	E	0.80 BSC		
Contact Pad Spacing	C1	19.20 BSC		
Contact Pad Spacing	C2	16.00 BSC		
Contact Pad Width (Xnn)	X			0.35
Contact Pad to Contact Pad (Xnn)	G	0.45		

Notes:

1. Dimensioning and tolerancing per ASME Y14.5M
BSC: Basic Dimension. Theoretically exact value shown without tolerances.

Microchip Technology Drawing C04-23537 Rev A

Table 10-1. 427-ball TFBGA Package Characteristics

Moisture sensitivity level	MSL3
----------------------------	------

Table 10-2. Device and 427-ball TFBGA Package Weight

980	mg
-----	----

Table 10-3. Package Reference

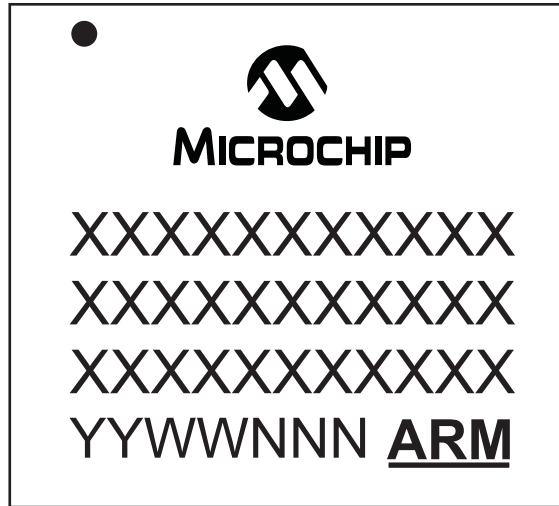
JEDEC drawing reference	NA
J-STD-609 classification	e8

Table 10-4. 427-ball TFBGA Package Information


Ball land	0.450 mm
Nominal ball diameter	0.400 mm
Solder mask opening	0.350 mm
Solder mask definition	Solder Mask Defined (SMD)
Solder	SAC105

11. Marking

Top marking follows the scheme below:



with possible values:

Line	Description	Values
1	Company logo	Microchip logo
2	Company name	Microchip
3	Device name	SAMA7G54-DxG
4	Temperature code/Package	I/4UB 
5	Not used	-
6	Lot traceability, Arm logo	YYWWNNN ARM

12. Revision History

12.1 DS50003577C - 12/2024

Changes

Updated:

- [Reference Documents](#)
- [Ordering Information](#)
- [Product Identification System](#)
- [Chip Identifier](#)
- [Marking](#)
- Note 3 under [Table 9-2](#)
- [Table 9-5](#)

12.2 DS50003577B - 11/2023

Changes

Device renamed "SAMA7G5 Series System-in-Package (SiP)"; document title modified

Updates throughout, including in [Reference Documents](#), [Features](#), [Configuration Summary](#), [Block Diagram](#), [Chip Identifier](#)

12.3 DS50003577A - 09/2023

Changes

First issue

Microchip Information

Trademarks

The “Microchip” name and logo, the “M” logo, and other names, logos, and brands are registered and unregistered trademarks of Microchip Technology Incorporated or its affiliates and/or subsidiaries in the United States and/or other countries (“Microchip Trademarks”). Information regarding Microchip Trademarks can be found at <https://www.microchip.com/en-us/about/legal-information/microchip-trademarks>.

ISBN: 979-8-3371-0249-8

Legal Notice

This publication and the information herein may be used only with Microchip products, including to design, test, and integrate Microchip products with your application. Use of this information in any other manner violates these terms. Information regarding device applications is provided only for your convenience and may be superseded by updates. It is your responsibility to ensure that your application meets with your specifications. Contact your local Microchip sales office for additional support or, obtain additional support at www.microchip.com/en-us/support/design-help/client-support-services.

THIS INFORMATION IS PROVIDED BY MICROCHIP “AS IS”. MICROCHIP MAKES NO REPRESENTATIONS OR WARRANTIES OF ANY KIND WHETHER EXPRESS OR IMPLIED, WRITTEN OR ORAL, STATUTORY OR OTHERWISE, RELATED TO THE INFORMATION INCLUDING BUT NOT LIMITED TO ANY IMPLIED WARRANTIES OF NON-INFRINGEMENT, MERCHANTABILITY, AND FITNESS FOR A PARTICULAR PURPOSE, OR WARRANTIES RELATED TO ITS CONDITION, QUALITY, OR PERFORMANCE.

IN NO EVENT WILL MICROCHIP BE LIABLE FOR ANY INDIRECT, SPECIAL, PUNITIVE, INCIDENTAL, OR CONSEQUENTIAL LOSS, DAMAGE, COST, OR EXPENSE OF ANY KIND WHATSOEVER RELATED TO THE INFORMATION OR ITS USE, HOWEVER CAUSED, EVEN IF MICROCHIP HAS BEEN ADVISED OF THE POSSIBILITY OR THE DAMAGES ARE FORESEEABLE. TO THE FULLEST EXTENT ALLOWED BY LAW, MICROCHIP’S TOTAL LIABILITY ON ALL CLAIMS IN ANY WAY RELATED TO THE INFORMATION OR ITS USE WILL NOT EXCEED THE AMOUNT OF FEES, IF ANY, THAT YOU HAVE PAID DIRECTLY TO MICROCHIP FOR THE INFORMATION.

Use of Microchip devices in life support and/or safety applications is entirely at the buyer’s risk, and the buyer agrees to defend, indemnify and hold harmless Microchip from any and all damages, claims, suits, or expenses resulting from such use. No licenses are conveyed, implicitly or otherwise, under any Microchip intellectual property rights unless otherwise stated.

Microchip Devices Code Protection Feature

Note the following details of the code protection feature on Microchip products:

- Microchip products meet the specifications contained in their particular Microchip Data Sheet.
- Microchip believes that its family of products is secure when used in the intended manner, within operating specifications, and under normal conditions.
- Microchip values and aggressively protects its intellectual property rights. Attempts to breach the code protection features of Microchip products are strictly prohibited and may violate the Digital Millennium Copyright Act.
- Neither Microchip nor any other semiconductor manufacturer can guarantee the security of its code. Code protection does not mean that we are guaranteeing the product is “unbreakable”. Code protection is constantly evolving. Microchip is committed to continuously improving the code protection features of our products.

Product Page Links

[SAMA7G54D1G](#), [SAMA7G54D2G](#)